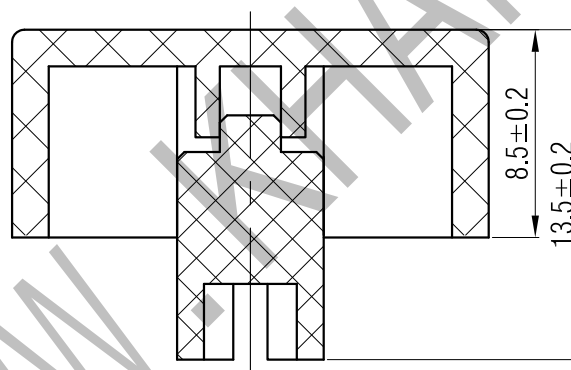
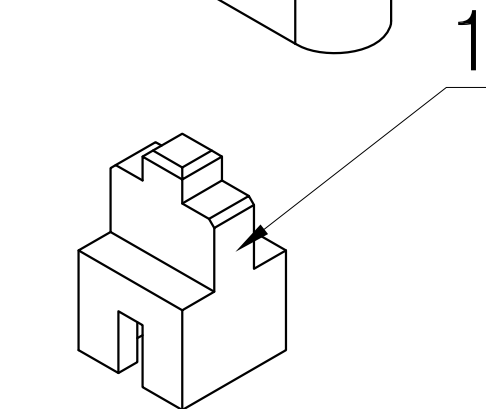
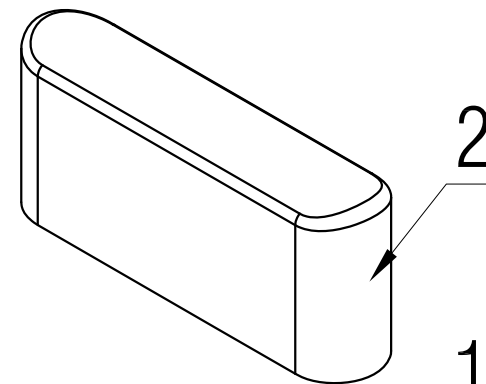
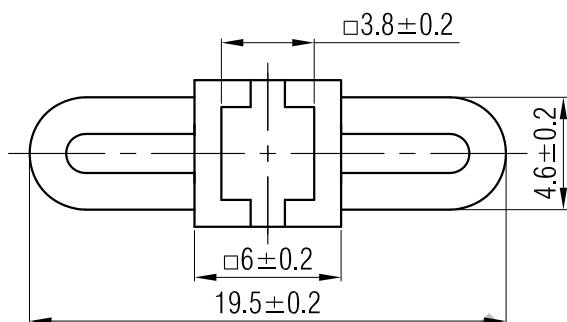


SWITCH CAP
P/N:SC205



Materials

2.Cap2: ABS Chromium plating
1.Cap1: ABS White

Packaging

Bulk Package
Inner Package: Plastic bag
Outer Package: Carton



VERSION		PROJECTION	DESIGN	敖余达
KH14FE22E			DRAWN	敖余达
SCALE	SIZE	 Dimensions are shown:mm(inches)	APPROVAL	徐君辉
5:1	A4		2018.07.20	