

PUSH SWITCH
P/N:KAN1-22



SPECIFICATIONS

Funtion: Lock - Non Lock
Termination: THD version

Mechanical

Actuation Force: 400 ± 100 grams
Life Expectancy: 8,000 Operations

Electrical

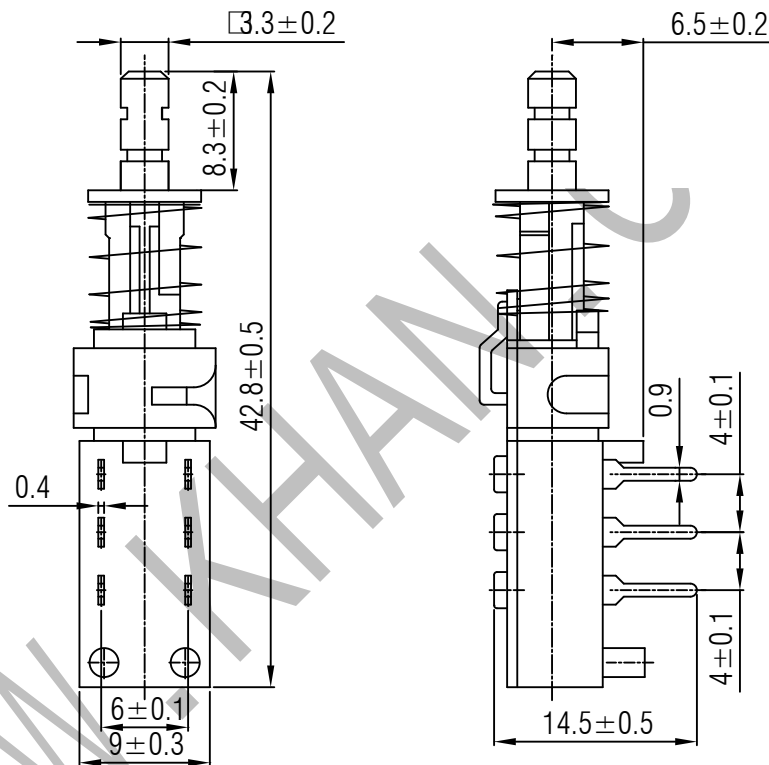
Contact Rating: 1A @ 30V DC
Dielectric Strength: 500VAC for 1minute
Contact Resistance: 50m Ω Max.
Insulation Resistance: 100M Ω Min.
Travel: 5 ± 0.5 mm

Materials

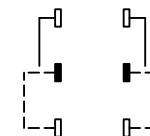
- 8.Spring: Alloy-steel wire
- 7.Holder: PC
- 6.Hook: Stainless Steel
- 5.Pressure-spring: Phosphor-bronze with Silver cladding
- 4.Stem: POM
- 3.Contact: Phosphor-bronze with Silver cladding
- 2.Bottom board: Polyester fibreboard
- 1.Terminal: Copper with Silver Cladding

Packaging

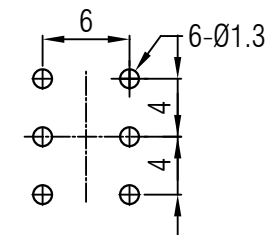
Bulk Package
Inner Package: Plastic bag
Outter Package: Carton



CIRCUIT DIAGRAM



Dimension of The Terminals



VERSION		PROJECTION	DESIGN	YUDA AO
KH14FE22E			DRAWN	YUDA AO
SCALE	SIZE	 Dimensions are shown:mm(inches)	APPROVAL	JUNHUI XU
2:1	A4		2018.06.14	