

TACT SWITCH

P/N: TSW12311-H

WATERPROOF



SPECIFICATIONS

Function: Momentary action
 Contact Arrangement: SPST, Normally Open
 Termination: SMD version

Mechanical

Actuation Force: 330±50grams
 Life Expectancy: 100,000 Operations

Electrical

Contact Rating: 50mA @ 12V DC
 Dielectric Strength: 250V AC for 1minute
 Contact Resistance: 50mΩ Max.
 Insulation Resistance: 100MΩ Min.
 Travel: 0.3±0.1mm

Environmental

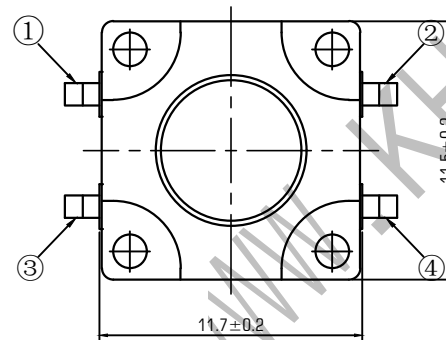
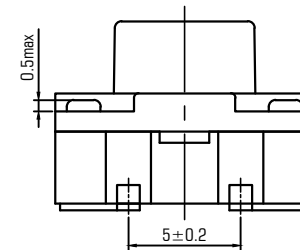
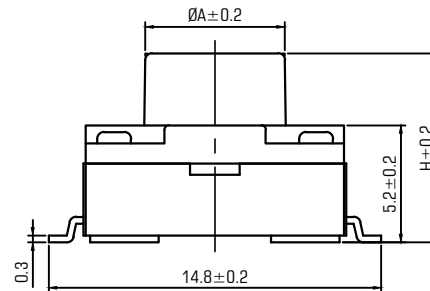
Operating Temperature: -25~+70°C
 Relative Humidity: (40°C) ≤95%

Materials

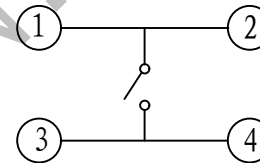
7.Cover: Black GP.PPA
 6.Stem: Black GP.PPA
 5.Washer: Rubber
 4.Waterproof membrane: PIF membrane
 3.Contact: Copper with Silver Cladding
 2.Holder: Black GP.PPA
 1.Terminal: Copper (H62Y t=0.3) with Sliver Cladding

Packaging

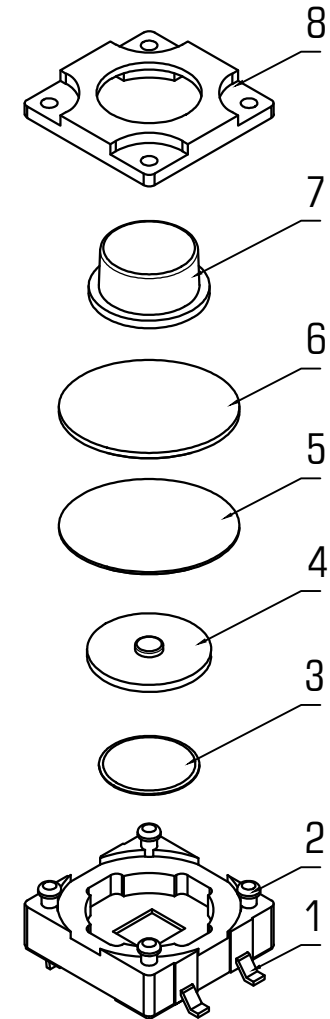
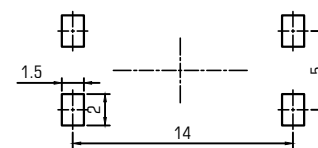
Bulk Package
 Inner Package: Plastic bag
 Outer Package: Carton



CIRCUIT DIAGRAM



P.C.B. LAYOUT



H	5.8	6	6.5	7	7.5	8	8.5	9	9.2	9.5	10	10.5	11	11.5
A	6.4	6.4	6.4	6.4	6.4	6.2	6.3	6.2	6.3	6.3	6.3	6.2	6.2	6.3
H	12	12.5	13	13.5	14	14.5	15.5	16.5	17	18.5	19.5	21.2	22.5	
A	6.2	6.2	6.2	6.2	6.2	6.2	6.2	6.2	6.2	6.1	6.1	6.1	6.1	



KANGHONG ELECTRONIC

VERSION		PROJECTION	DESIGN
KH14FE22E			
SCALE	SIZE	 Dimensions are shown:mm(inches)	DRAWN
4:1	A4		2014.02.20