



TACT SWITCH

P/N: TSW08112-0080

WATERPROOF

SPECIFICATIONS

Function: Momentary action
 Contact Arrangement: SPST, Normally Open
 Termination: THD version

Mechanical

Actuation Force: 230±50grams
 Life Expectancy: 100,000 Operations

Electrical

Contact Rating: 50mA @ 12V DC
 Dielectric Strength: 250V AC for 1minute
 Contact Resistance: 50mΩ Max.
 Insulation Resistance: 100MΩ Min.
 Travel: 0.3±0.1mm

Environmental

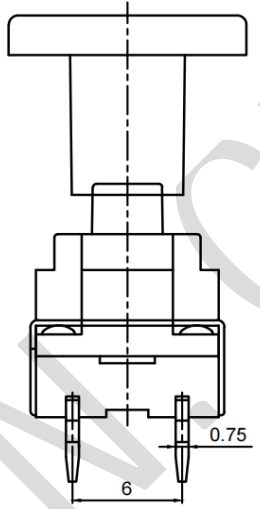
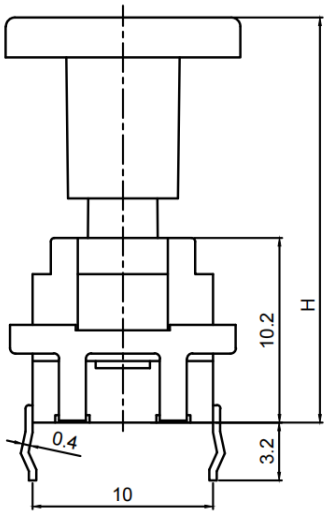
Operating Temperature: -25~+70℃
 Relative Humidity: (40℃)≤95%

Materials

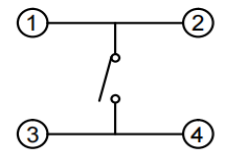
- 10.CAP: Black GP.PC
- 9.BARCKET: Stainless steel
- 8.Cover: Black GP.PA66
- 7.Stem: Black GP.PC
- 6.Washer: Rubber
- 5.Waterproof membrane: PIF membrane
- 4.Inner Stem: Black GP.PA66
- 3.Contact: Copper with Silver Cladding
- 2.Holder: Black GP.PA66
- 1.Terminal: Copper (H62Y) with Silver Cladding

Packaging

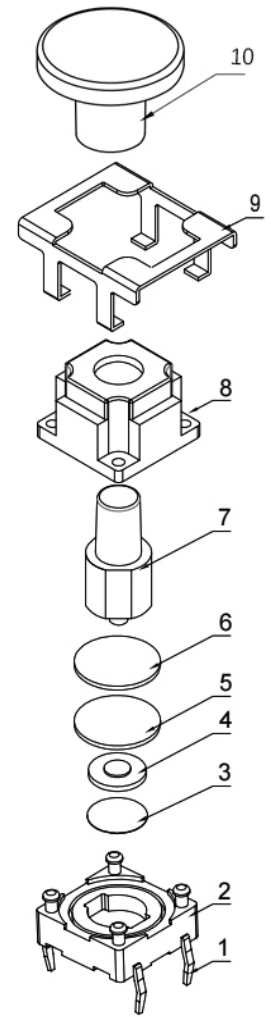
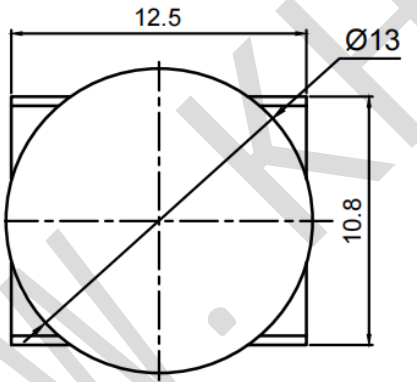
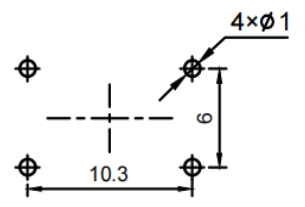
Bulk Package
 Inner Package: Plastic bag
 Outer Package: Carton



CIRCUIT DIAGRAM



P.C.B. LAYOUT



WENZHOU KHAN ELECTRONIC

VERSION		PROJECTION	DESIGN	SHUQING ZHU
KH14FE22E			DRAWN	ZHONGJU PENG
SCALE	SIZE	 Dimensions are shown:mm(inches)	APPROVAL	JUNHUI XU
3:1	A4		2019.10.12	