

# TACT SWITCH

P/N:TSA06235-H



## SPECIFICATIONS

Function: Momentary action  
 Contact Arrangement: SPST, Normally Open  
 Termination: THD version

### Mechanical

Actuation Force: 280±50grams  
 Life Expectancy: 80000 Operations

### Electrical

Contact Rating: 50mA @ 12V DC  
 Dielectric Strength: 250V AC for 1minute  
 Contact Resistance: 50mΩ Max.  
 Insulation Resistance: 100MΩ Min.  
 Travel: 0.25±0.1mm

### Environmental

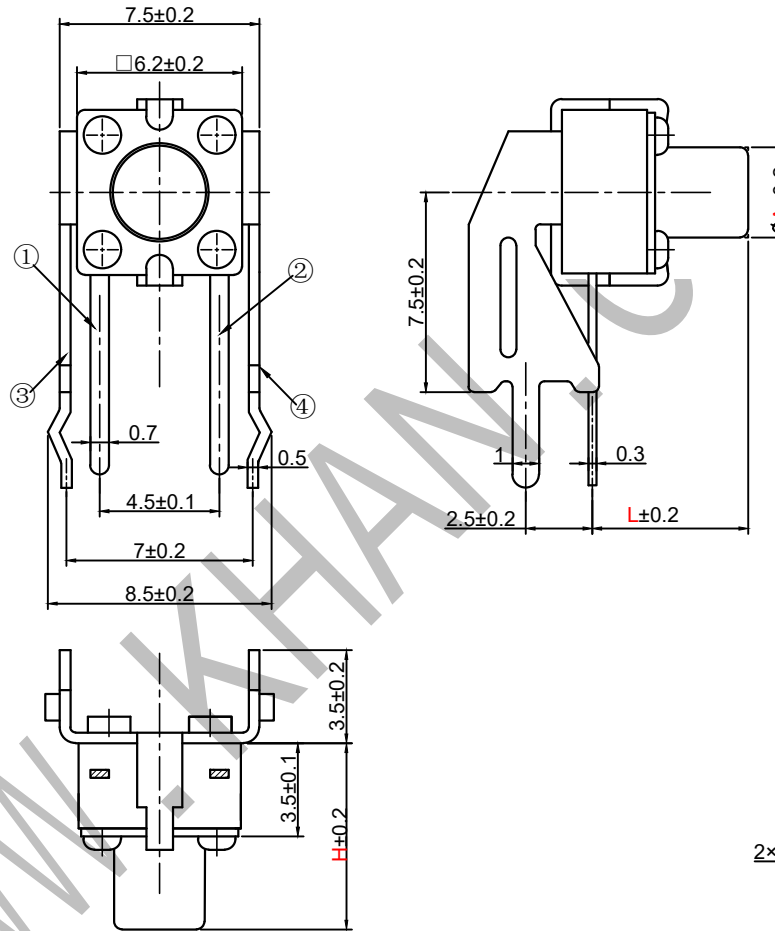
Operating Temperature: -25~+70°C  
 Relative Humidity: (40°C) ≤95%

### Materials

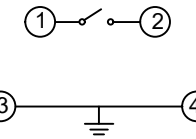
6.Bracket: Ferrum with Sn Cladding  
 5.Cover: Ferrum with Copper and Tin Cladding  
 4.Stem: Red GP.PA66  
 3.Contact: Copper with Silver Cladding  
 2.Holder: Black GP.PA66  
 1.Terminal: Copper with Silver Cladding

### Packaging

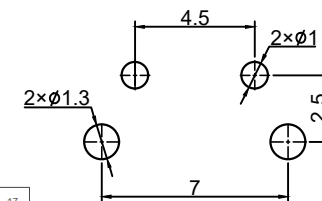
Bulk Package  
 Inner Package: Plastic bag  
 Outer Package: Carton



### CIRCUIT DIAGRAM



### P.C.B. LAYOUT



H	4.3	4.5	5	5.5	6	6.5	7	7.5	8	8.5	9	9.5	10	10.5
A	3.4	3.4	3.4	3.2	3.2	3.2	3.2	3.2	3.2	3.1	3.2	3.2	3	
L	3.15	3.35	3.85	4.35	4.85	5.35	5.85	6.35	6.85	7.35	7.85	8.35	8.85	9.35

H	11	11.5	12	12.5	13	13.5	14	14.5	15	15.5	16	16.5	17
A	3.1	3.2	3.2	3.1	3.2	3	3.2	3.1	3.1	3.2	3.2	3.2	3.2
L	9.85	10.35	10.85	11.35	11.85	12.35	12.85	13.35	13.85	14.35	14.82	15.35	15.85



# KHAN ELECTRONIC

VERSION		PROJECTION		DESIGN	YUDA AO
KH14FE22E				DRAWN	ZHIJIE LU
SCALE	SIZE	Dimensions are shown:mm(inches)		APPROVAL	JUNHUI XU
4:1	A4	2018.01.20			