

TACT SWITCH

P/N:TSA03311



SPECIFICATIONS

Funtion: Momentary action
 Contact Arrangement: SPST, Normally Open
 Termination: SMD version

Mechanical

Actuation Force: 180±50grams
 Life Expectancy: 50,000 Operations min.

Electrical

Contact Rating: 100mA @ 12V DC
 Dielectric Strength: 250V AC for 1minute
 Contact Resistance: 50mΩ Max.
 Insulation Resistance: 100MΩ Min.
 Travel: 0.15±0.1mm

Environmental

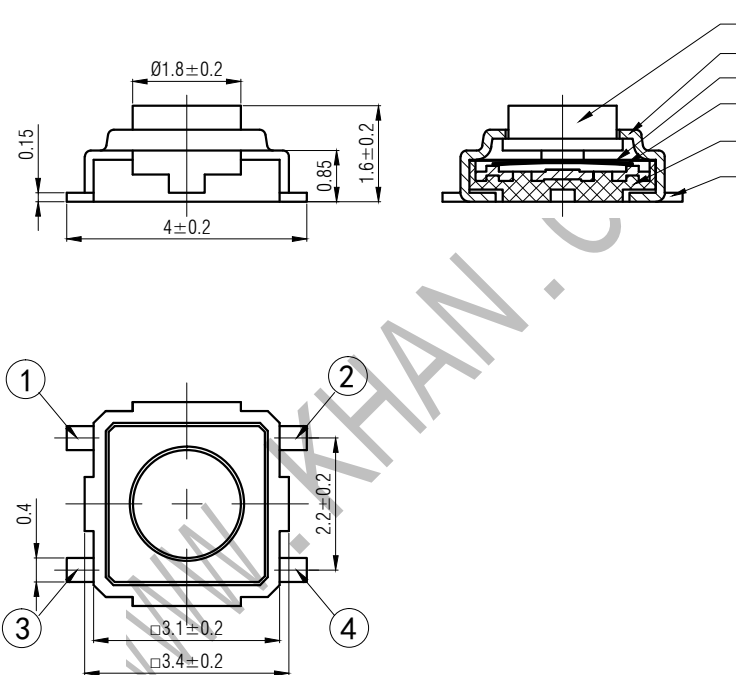
Operating Temperature: -25~+70°C
 Relative Humidity: (40°C) ≤95%

Materials

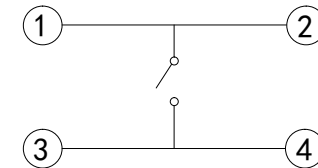
6.Stem: Black PA66
 5.Cover: Stainless Steel
 4.Waterproof membrane: PIF membrane
 3.Contact: Stainless Steel with Silver cladding
 2.Holder: Black PA66
 1.Terminal: Copper (H62Y t=0.3) with Silver Cladding

Packaging

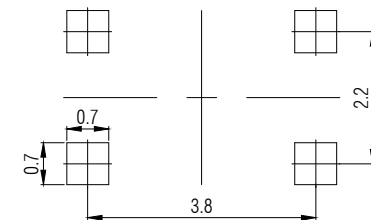
Bulk Package
 Inner Package: Plastic bag
 Outter Package: Carton



CIRCUIT DIAGRAM



P.C.B. LAYOUT



KANGHONG ELECTRONIC

VERSION		PROJECTION	DESIGN	
KH14FE22E				
SCALE	SIZE	 Dimensions are shown:mm(inches)	DRAWN	
8:1	A4		2014.02.20	APPROVAL