

TACT SWITCH

P/N:TSA06532- H



SPECIFICATIONS

Funtion: Momentary action
 Contact Arrangement: SPST, Normally Open

Mechanical

Actuation Force: 180±50grams
 Life Expectancy: 100,000 Operations

Electrical

Contact Rating: 50mA @ 12V DC
 Dielectric Strength: 250V AC for 1minute
 Contact Resistance: 100mΩ Max.
 Insulation Resistance: 100MΩ Min.
 Travel: 0.25±0.1mm

Environmental

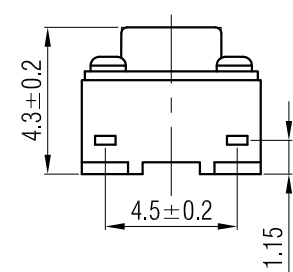
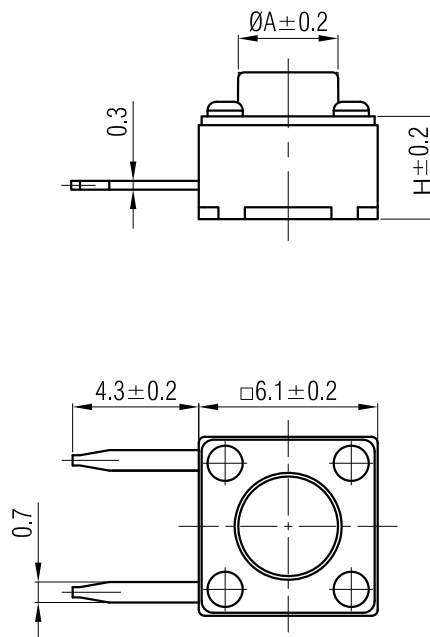
Operating Temperature: -25~+70°C
 Relative Humidity: (40°C) ≤95%

Materials

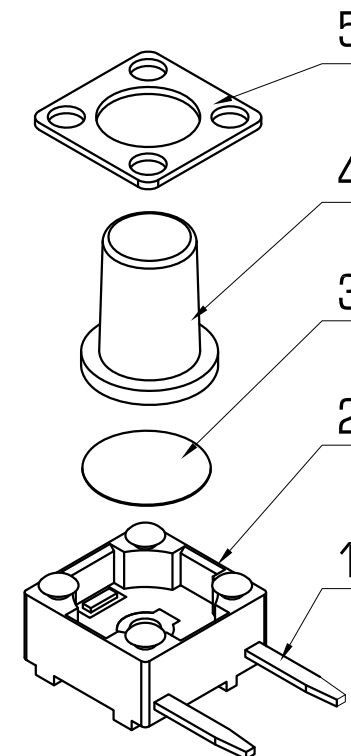
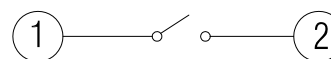
5.Cover: Ferrum with Nickelplate
 4.Stem: Black GP.PA66
 3.Contact: Copper with Silver cladding
 2.Holder: Black GP.PA66
 1.Terminal: Copper (H65Y t=0.3) with Silver Cladding

Packaging

Bulk Package
 Inner Package: Plastic bag
 Outter Package: Carton



CIRCUIT DIAGRAM



H	4.3	4.5	4.8	5	5.5	6	6.4	6.5	6.6	7	7.3	7.5	8	8.5
A	3.4	3.4	3.4	3.5	3.2	3.2	3	3.2	3.1	3.2	3.2	3.2	3.2	3.2
H	8.8	9	9.5	9.7	9.9	10	10.3	10.5	11	11.5	12	12.5	13	
A	3.1	3.1	3.2	3.1	3.2	3.2	3.2	3	3.1	3.2	3.2	3.1	3.2	



WENZHOU KHAN ELECTRONIC

VERSION		PROJECTION	DESIGN	朱树清
KH14FE22E			DRAWN	彭中菊
SCALE	SIZE	 Dimensions are shown:mm(inches)	APPROVAL	徐君辉
4:1	A4		2020.05.18	