



# TACT SWITCH

P/N:TSB06153



## SPECIFICATIONS

Function: Momentary action  
 Contact Arrangement: SPST, Normally Open  
 Termination: THD version

### Mechanical

Actuation Force: 180±50grams  
 Life Expectancy: 100,000 Operations

### Electrical

Contact Rating: 50mA @ 12V DC  
 Dielectric Strength: 250V AC for 1minute  
 Contact Resistance: 50mΩ Max.  
 Insulation Resistance: 100MΩ Min.  
 Travel: 0.25±0.1mm

### Environmental

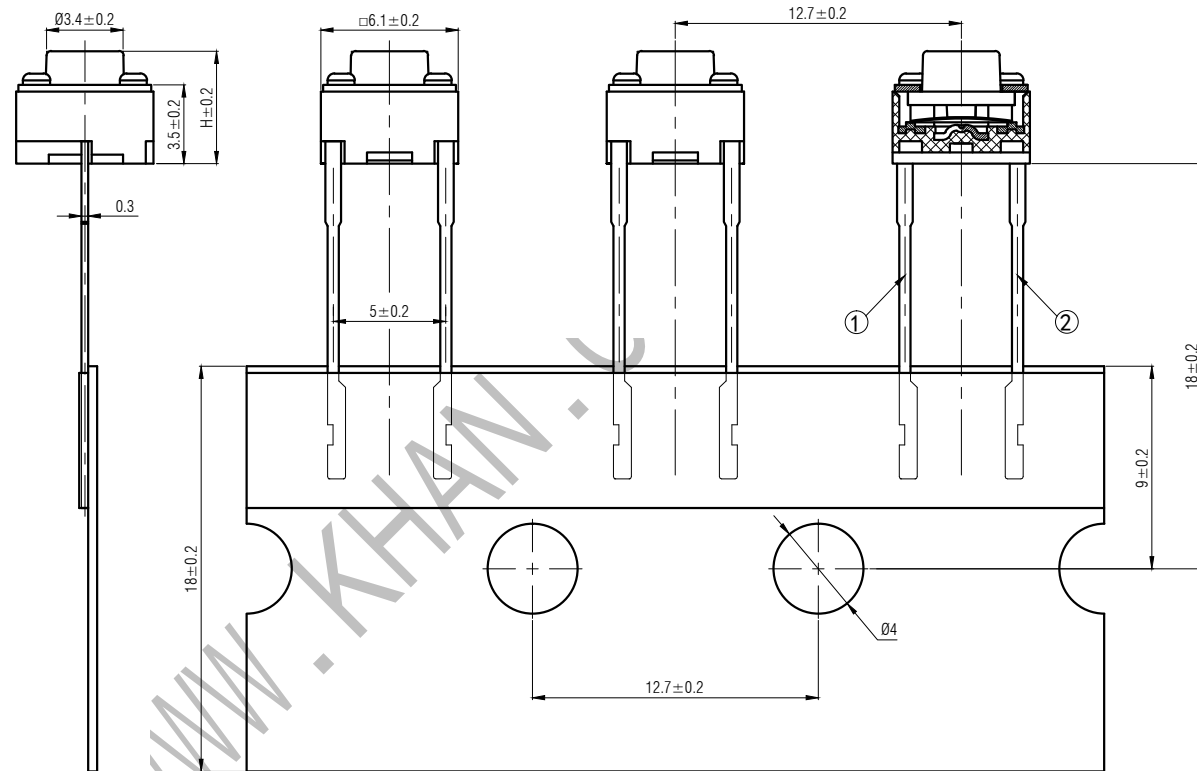
Operating Temperature: -25~+70°C  
 Relative Humidity: (40°C) ≤95%

### Materials

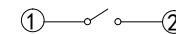
5.Stem: Black GP.PA66/GP.PC  
 4.Cover: Ferrum with Nickelplate  
 3.Contact: Copper with Silver cladding  
 2.Holder: Black GP.PA66  
 1.Terminal: Copper (H62Y t=0.3) with Silver Cladding

### Packaging

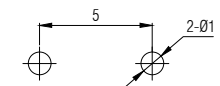
Bulk Package  
 Inner Package: Plastic bag  
 Outer Package: Carton



CIRCUIT DIAGRAM



P.C.B. LAYOUT



# KANGHONG ELECTRONIC

VERSION		PROJECTION	DESIGN	
KH14FE22E				
SCALE	SIZE	 Dimensions are shown:mm(inches)	DRAWN	
3:1	A4		2014.02.22	APPROVAL