



TACT SWITCH

P/N:TSA45111



SPECIFICATIONS

Funtion: Momentary action
 Contact Arrangement: SPST, Normally Open
 Termination: THD version

Mechanical

Actuation Force: 180/280±50grams
 Life Expectancy: 50,000 Operations

Electrical

Contact Rating: 50mA @ 12V DC
 Dielectric Strength: 250V AC for 1minute
 Contact Resistance: 100mΩ Max.
 Insulation Resistance: 100MΩ Min.
 Travel: 0.25±0.1mm

Environmental

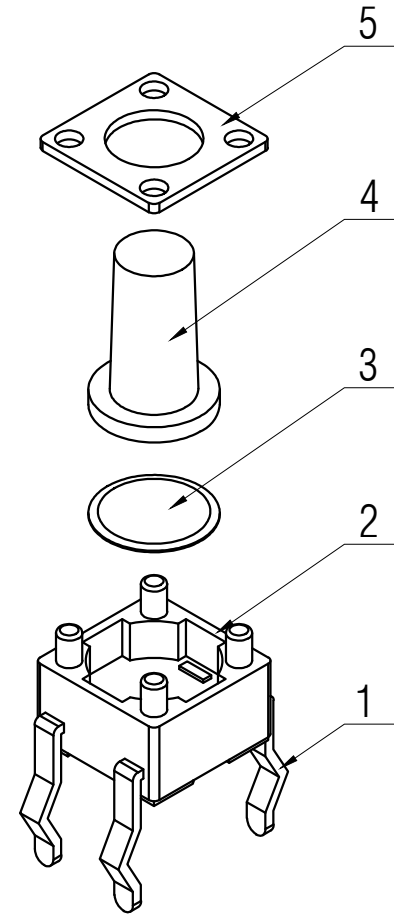
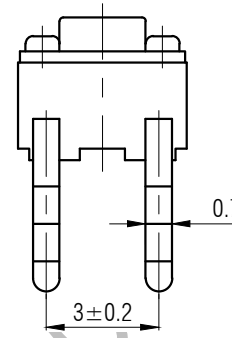
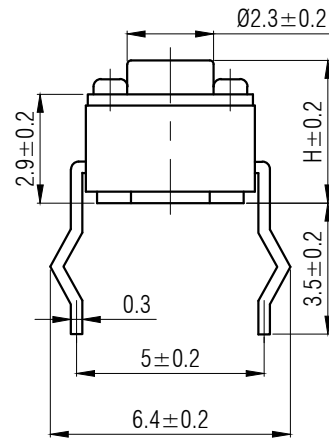
Operating Temperature: -25~+70°C
 Relative Humidity: (40°C) ≤95%

Materials

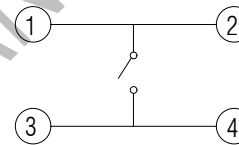
5.Cover: Copper with Nickelplate
 4.Stem: Black GP.PPA
 3.Contact: Stainless Steel with Silver cladding
 2.Holder: Black GP.PPA
 1.Terminal: Copper (H62Y t=0.3) with Silver Cladding

Packaging

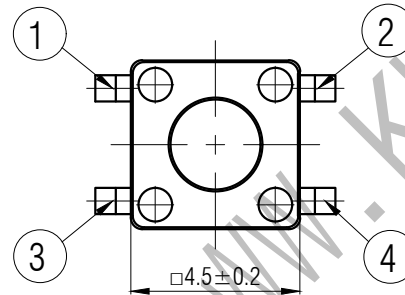
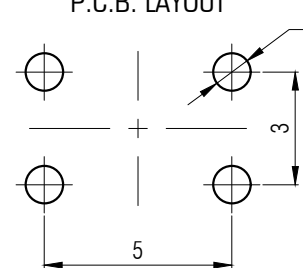
Bulk Package
 Inner Package: Plastic bag
 Outter Package: Carton



CIRCUIT DIAGRAM



P.C.B. LAYOUT



H	3.8	4.3	4.8	5	5.5	7.1
---	-----	-----	-----	---	-----	-----



KANGHONG ELECTRONIC

VERSION

KH14FE22E

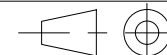
SCALE

5:1

SIZE

A4

PROJECTION



Dimensions are shown:mm(inches)

2016.01.27

DESIGN

DRAWN

APPROVAL