



# TACT SWITCH

P/N:TSA06141-2000



## SPECIFICATIONS

Function: Momentary action  
 Contact Arrangement: SPST, Normally Open  
 Termination: THD version

### Mechanical

Actuation Force: 180/250/280±50grams  
 Life Expectancy: 100K/300K Operations

### Electrical

Contact Rating: 50mA @ 12V DC  
 Dielectric Strength: 250V AC for 1minute  
 Contact Resistance: 50/100mΩ Max.  
 Insulation Resistance: 100MΩ Min.  
 Travel: 0.25±0.1mm

### Environmental

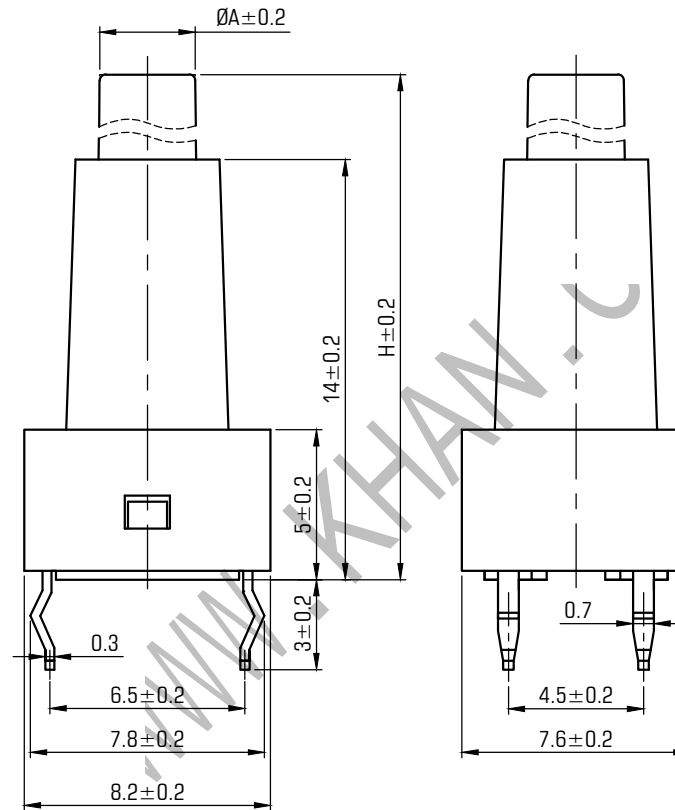
Operating Temperature: -25~+70°C  
 Relative Humidity: (40°C) ≤95%

### Materials

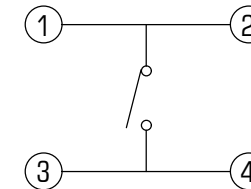
6.Socket: Ivory GP.PA66  
 5.Cover: Ferrum with Nickelplate  
 4.Stem: Black GP.PC  
 3.Contact: Copper/Stainless Steel with Silver cladding  
 2.Holder: Black GP.PA66  
 1.Terminal: Copper (H62Y) with Silver Cladding

### Packaging

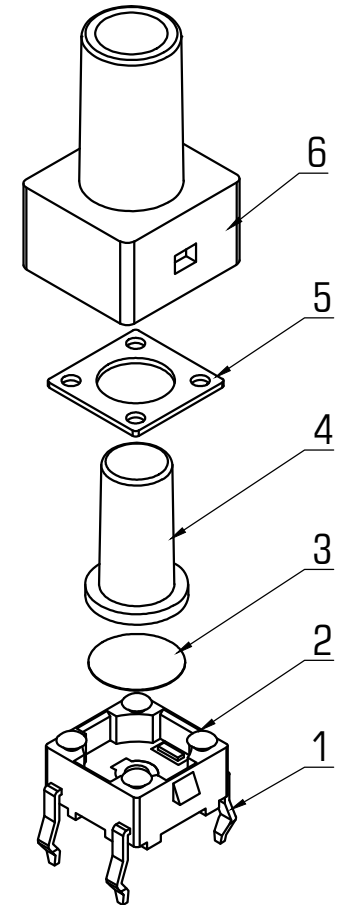
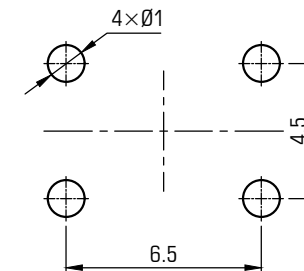
Bulk Package  
 Inner Package: Plastic bag  
 Outer Package: Carton



### CIRCUIT DIAGRAM



### P.C.B. LAYOUT



H	20.2	21	22	22.5	23	23.5	24.5	24.8	25	26	27.2	28	29	31
A	3.2	3.1	3.2	3.2	3.1	3.2	3	3.1	3	3.2	3	2.9	3	3.1



# KANGHONG ELECTRONIC

VERSION		PROJECTION	DESIGN	YUDA AO
KH14FE22E			DRAWN	ZHIJIE LU
SCALE	SIZE	Dimensions are shown:mm(inches)	APPROVAL	JUNHUI XU
4:1	A4		2016.10.26	