



# TACT SWITCH

P/N: TSW12111-0010

WATERPROOF

## SPECIFICATIONS

Function: Momentary action  
 Contact Arrangement: SPST, Normally Open  
 Termination: THD version

### Mechanical

Actuation Force: 280±50grams  
 Life Expectancy: 100,000 Operations

### Electrical

Contact Rating: 50mA @ 12V DC  
 Dielectric Strength: 250VAC for 1minute  
 Contact Resistance: 50mΩ Max.  
 Insulation Resistance: 100MΩ Min.  
 Travel: 0.35±0.1mm

### Environmental

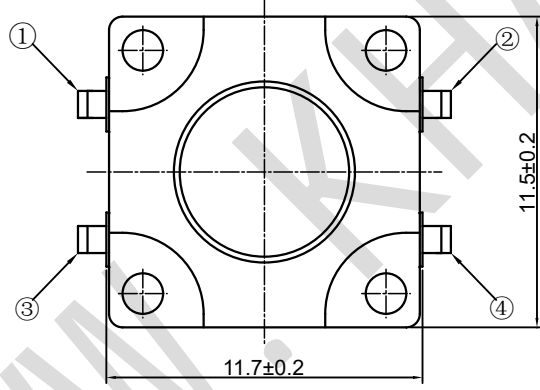
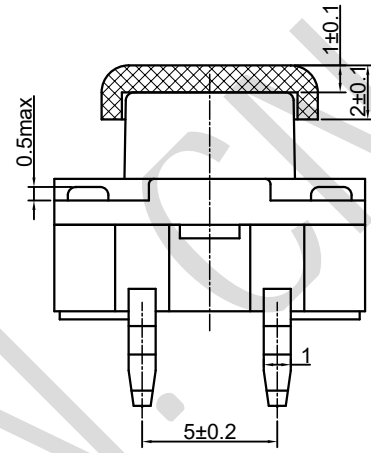
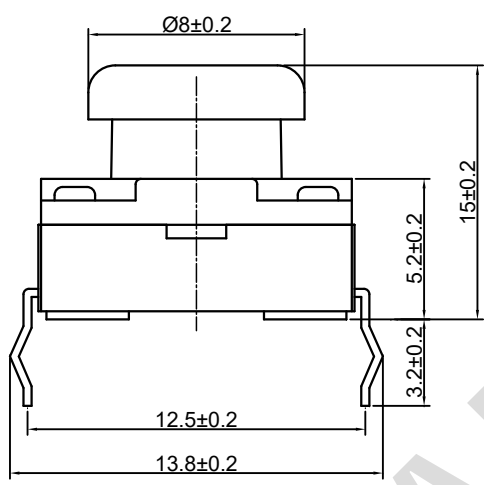
Operating Temperature: -25 ~ +70 C  
 Relative Humidity: (40 C) ≤ 95%

### Materials

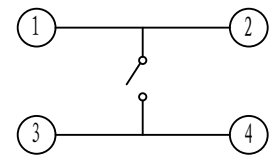
- 9. Cap: White GPPC
- 8. Cover: Black GPPA66
- 7. Stem: Black GPPC
- 6. Washer: Rubber
- 5. Waterproof membrane: PIF membrane
- 4. Inner stem: Black GPPA66
- 3. Contact: Copper with Silver Cladding
- 2. Holder: Black GPPA66
- 1. Terminal: Copper (H62Y t=0.3) with Silver Cladding

### Packaging

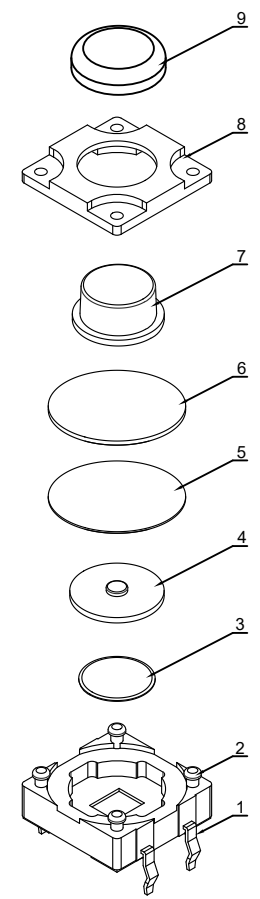
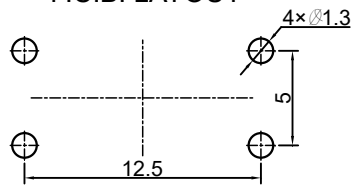
Bulk Package  
 Inner Package: Plastic bag  
 Outer Package: Carton



### CIRCUIT DIAGRAM



### P.C.B. LAYOUT



H	8	8.5	9	9.5	10.5	11	11.5	12	12.5	13
H	13.5	14	14.5	15.5	16	16.5	17	18.5	22.2	10



# KHAN ELECTRONIC

VERSION		PROJECTION	DESIGN
KH14FE22E			DRAWN
SCALE	SIZE	 Dimensions are shown: mm (inches)	APPROVAL
3:1	A4		2014.02.20