

# TACT SWITCH

TSW06141

WATERPROOF



## SPECIFICATIONS

Function: Momentary action  
 Contact Arrangement: SPST, Normally Open  
 Termination: THD version

### Mechanical

Actuation Force: 200±50grams  
 Life Expectancy: 100K Operations

### Electrical

Contact Rating: 50mA @ 12V DC  
 Dielectric Strength: 250VAC for 1 minute  
 Contact Resistance: 100mΩ Max.  
 Insulation Resistance: 100MΩ Min.  
 Travel: 0.2±0.1mm

### Environmental

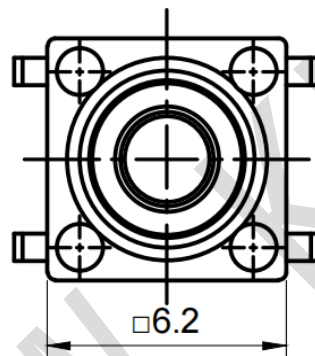
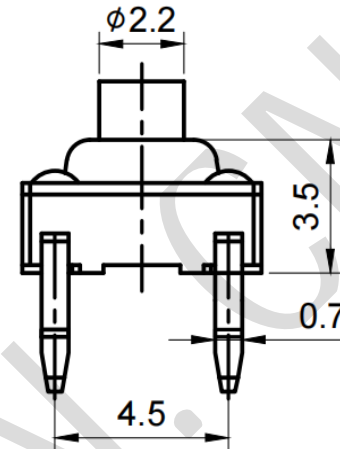
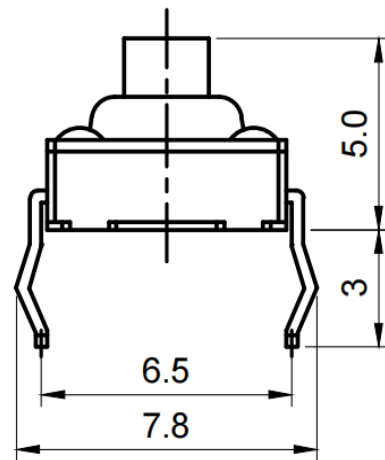
Operating Temperature: -25~+70°C  
 Relative Humidity: (40°C) ≤95%

### Materials

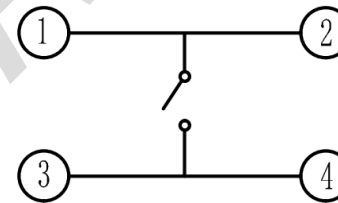
6.Cover: Stainless steel  
 5.Stem: Ivory GP.PPA  
 4.Washer: Rubber  
 3.Contact: Stainless Steel with Silver Cladding  
 2.Holder: Black GP.PPA  
 1.Terminal: Silver plating on brass

### Packaging

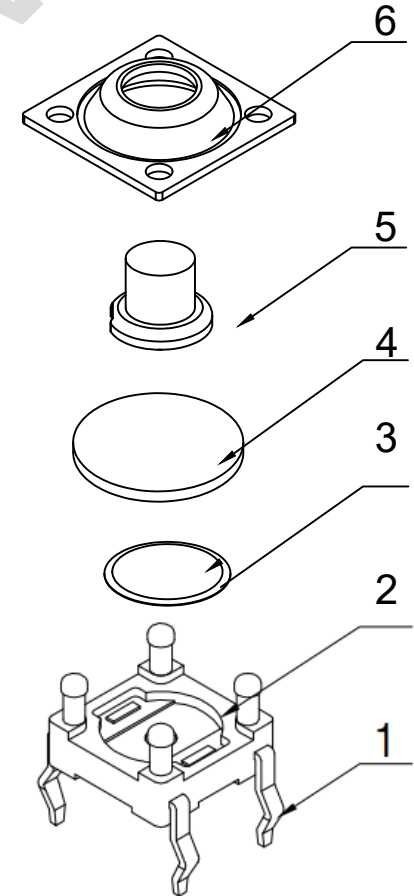
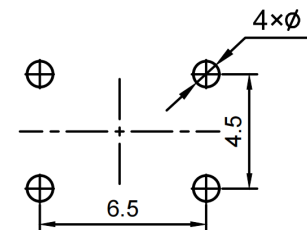
Bulk Package  
 Inner Package: Plastic bag  
 Outer Package: Carton



## CIRCUIT DIAGRAM



## P.C.B. LAYOUT



# WENZHOU KHAN ELECTRONIC

VERSION		PROJECTION	DESIGN	SHUQING ZHU
KH14FE22E			DRAWN	LINWEI
SCALE	SIZE	Dimensions are shown:mm(inches)	APPROVAL	JUNHUI XU
3:1	A4		2020.06.02	