

PUSHBUTTON SWITCH

P/N:PS851-06U140



SPECIFICATIONS

Function: Momentary action
 Contact Arrangement: SPST, Normally Open
 Termination: THD version

Mechanical

Actuation Force: 200~300gf
 Life Expectancy: 10,000 Operations

Electrical

Contact Rating: 100mA @ 30V DC
 Dielectric Strength: 250VAC for 1minute
 Contact Resistance: 100mΩ Max.
 Insulation Resistance: 100MΩ Min.
 Travel: 2.5±0.5mm

Environmental

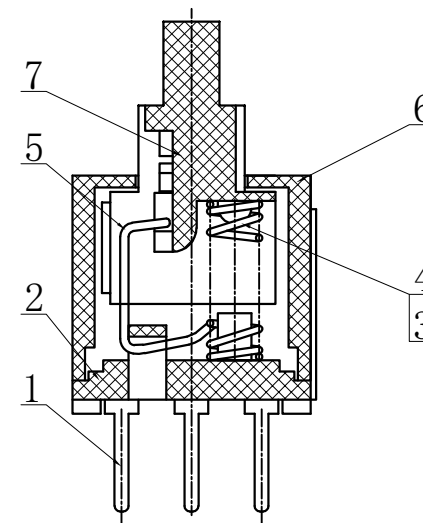
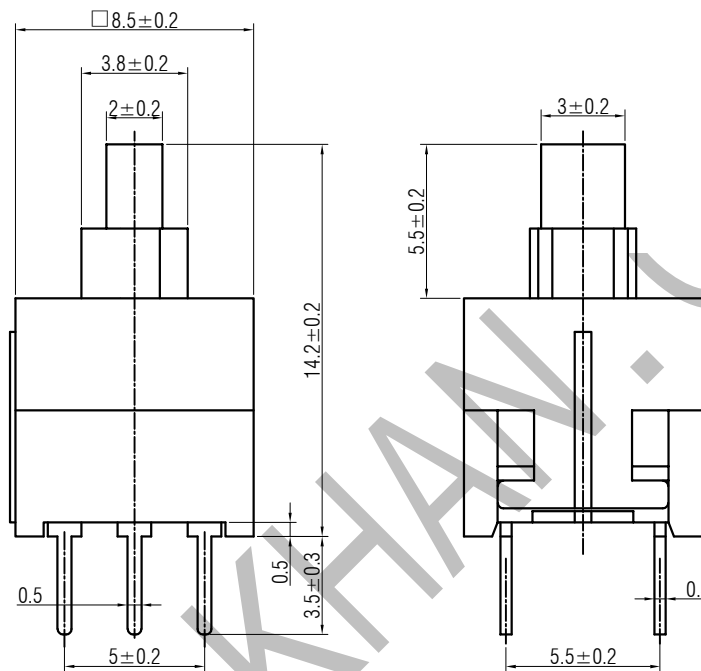
Operating Temperature: -25~+70℃
 Relative Humidity: (40℃) ≤95%

Materials

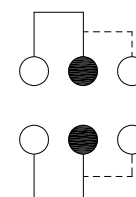
7.Stem: Black POM
 6.Cover: Grey PBT
 5.Hook: Stainless steel
 4.Spring: Carbon Spring Steel Wire
 3.Contact: Copper with Silver Cladding
 2.Holder: Black GP.PA66
 1.Terminal: Copper with Silver Cladding

Packaging

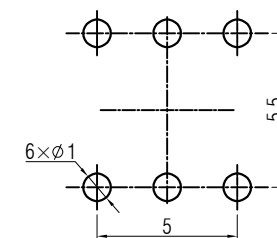
Bulk Package
 Inner Package: Plastic bag
 Outer Package: Carton



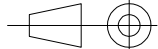
CIRCUIT DIAGRAM



P.C.B. LAYOUT



WENZHOU KAHN ELECTRONIC

VERSION		PROJECTION	DESIGN	Shuqing Zhu
KH14FE22E			DRAWN	Wei Lin
SCALE	SIZE	 Dimensions are shown:mm(inches)	APPROVAL	Johan Xu
1:1	A4		2021.11.11	