



**PUSH LATCH  
SWITCH**  
P/N:PR-05



## SPECIFICATIONS

### Mechanical

Actuation Force: 2~5N  
Life Expectancy: 15,000 Operations

### Environmental

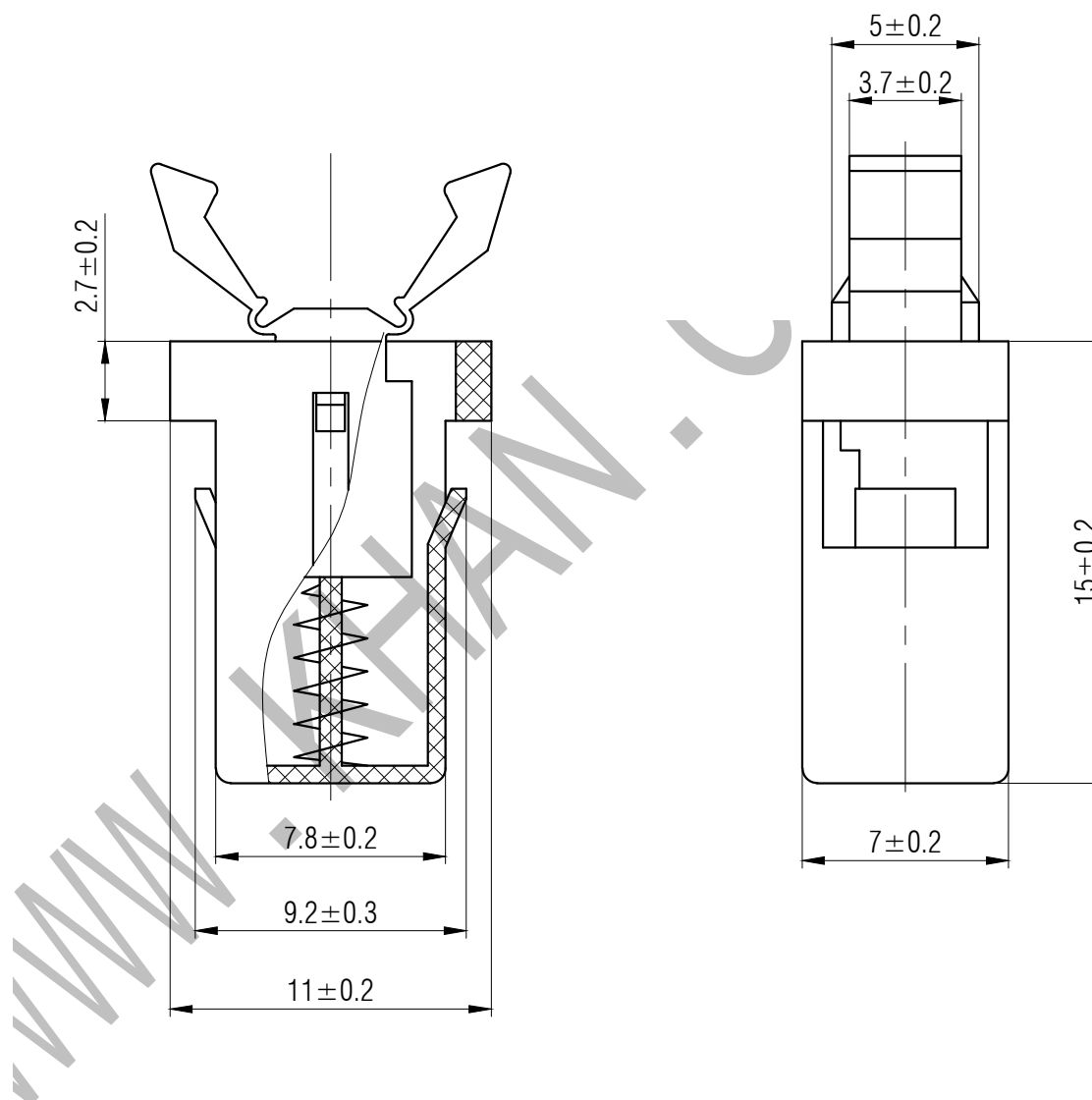
Operating Temperature: -25~+70°C  
Relative Humidity: (40°C) ≤95%

### Materials

4.Spring: Stainless Steel  
3.Hook: White POM  
2.Housing: Black/White GP.PC  
1."Y" shape button: Black/White GP.PA66

### Packaging

Bulk Package  
Inner Package: Plastic bag  
Outer Package: Carton

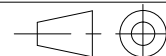


**KANGHONG ELECTRONIC**

VERSION

KH14FE22E

PROJECTION



Dimensions are shown:mm(inches)

DESIGN

DRAWN

APPROVAL

SCALE

4:1

SIZE

A4

2014.02.20