

PUSH SWITCH

P/N:KAN3-23



SPECIFICATIONS

Function: LOCK
 Contact Arrangement: DPDT
 Termination: THD version

Mechanical

Actuation Force: 330±100grams
 Life Expectancy: 10,000 Operations

Electrical

Contact Rating: 30mA @ 60V DC / 1.5A 250V AC
 Dielectric Strength: 250V AC for 1minute
 Contact Resistance: 50mΩ Max.
 Insulation Resistance: 100MΩ Min.
 Travel: 2.2±0.5mm

Environmental

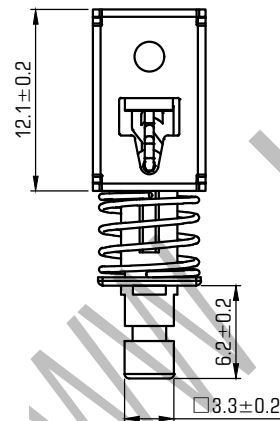
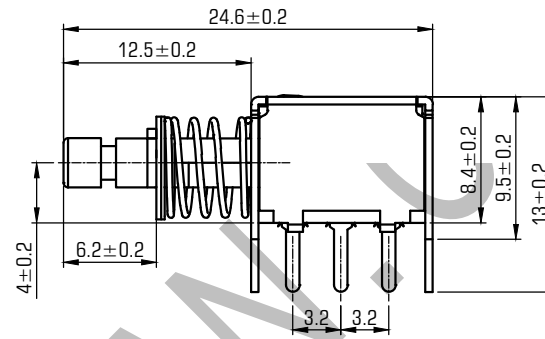
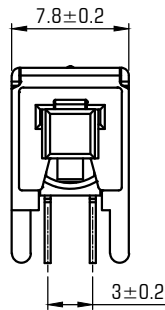
Operating Temperature: -25~+70°C
 Relative Humidity: (35°C) ≤85%

Materials

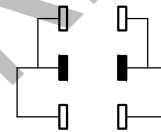
- 9.Buckle: Ferrum
- 8.Spring: Alloy-steel wire
- 7.Shell: Ferrum with Copper & Tin Cladding
- 6.Hook: Stainless Steel
- 5.Pressure-spring: Phosphor-bronze
- 4.Stem: PBT-G20
- 3.Contact: Phosphor-bronze with Silver cladding
- 2.Bottom board: Polyester fibreboard
- 1.Terminal: Copper with Silver Cladding

Packaging

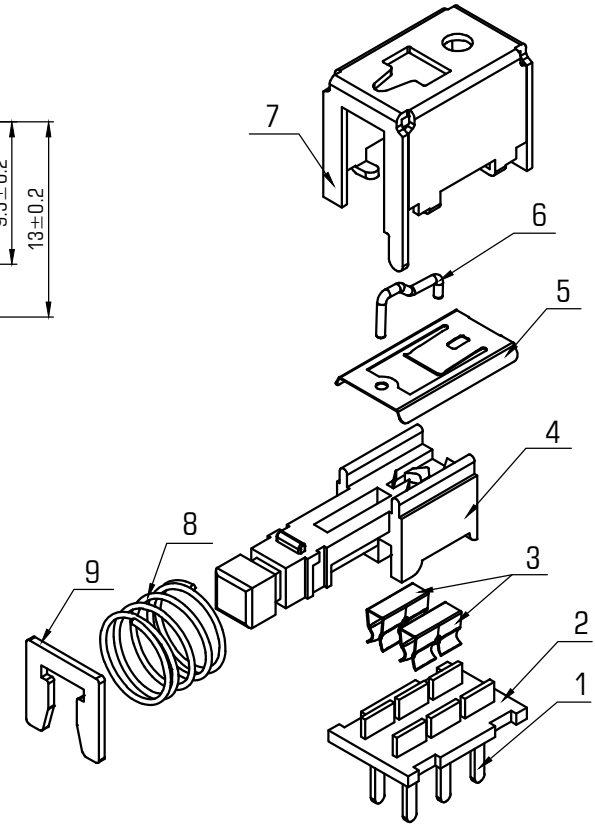
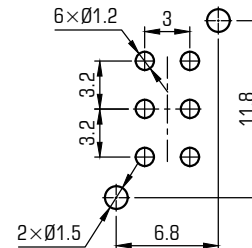
Bulk Package
 Inner Package: Plastic bag
 Outer Package: Carton



CIRCUIT DIAGRAM



P.C.B. LAYOUT



KANGHONG ELECTRONIC

VERSION		PROJECTION	DESIGN	YUDA AO
KH14FE22E			DRAWN	ZHIJIE LU
SCALE	SIZE	Dimensions are shown:mm(inches)	APPROVAL	JUNHUI XU
2:1	A4		2015.12.03	