

TACT SWITCH

P/N: TSW06512

WATERPROOF



SPECIFICATIONS

Function: Momentary action
 Contact Arrangement: SPST, Normally Open
 Termination: THD version

Mechanical

Actuation Force: 230 ± 50grams
 Life Expectancy: 100K Operations

Electrical

Contact Rating: 50mA @ 12V DC
 Dielectric Strength: 250V AC for 1minute
 Contact Resistance: 100mΩ Max.
 Insulation Resistance: 100MΩ Min.
 Travel: 0.3 ± 0.1mm

Environmental

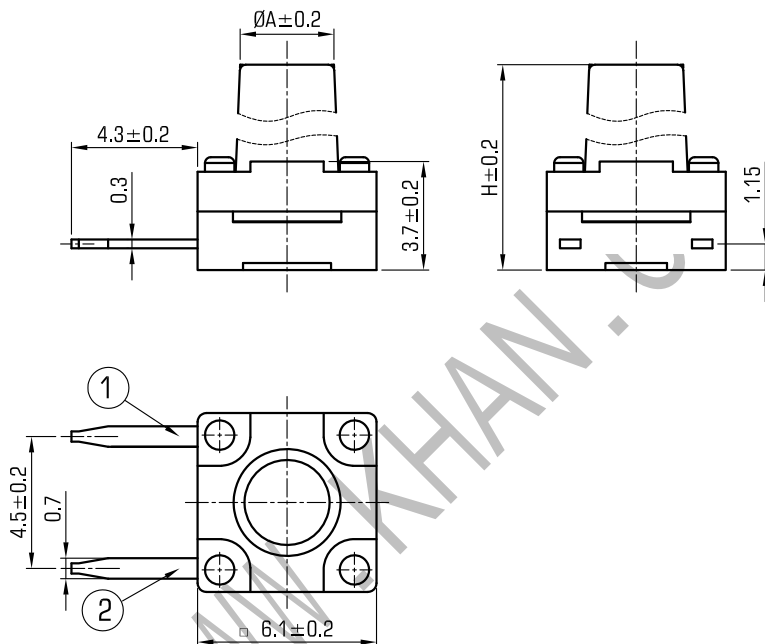
Operating Temperature: -25 ~ +70°C
 Relative Humidity: (40°C) ≤ 95%

Materials

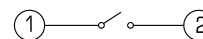
- 7. Cover: Black GP.PA66
- 6. Stem: Black GP.PA66
- 5. Washer: Rubber
- 4. Waterproof membrane: PIF membrane
- 3. Contact: Stainless Steel with Silver Cladding
- 2. Holder: Black GP.PA66
- 1. Terminal: Copper (H62Y) with Silver Cladding

Packaging

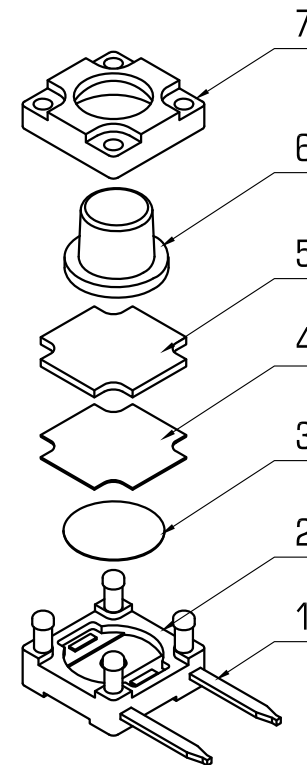
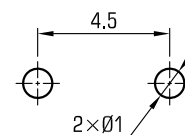
Bulk Package
 Inner Package: Plastic bag
 Outer Package: Carton



CIRCUIT DIAGRAM



P.C.B. LAYOUT



H	4.3	4.5	4.8	5	5.5	6	6.4	6.5	6.6	7	7.3	7.5	8	8.5
A	3.4	3.4	3.4	3.4	3.2	3.2	3	3.2	3.1	3.2	3.2	3.2	3.2	3.2
H	8.8	9	9.5	9.7	9.9	10	10.3	10.5	11	11.5	12	12.5	13	13.5
A	3.1	3.1	3.2	3.1	3.2	3.2	3.2	3.2	3.1	3.2	3.2	3.1	3.2	3
H	14	14.5	15	15.5	15.6	16	16.5	17	17	17.5	18	18.5	19	
A	3.2	3.1	3.1	3.2	3.1	3.2	3.2	3.2	2	3	3.2	3	3.1	



WENZHOU KHAN ELECTRONIC

VERSION		PROJECTION	DESIGN	SHUQING ZHU
KH14FE22E			DRAWN	ZHONGJU PENG
SCALE	SIZE	 Dimensions are shown:mm(inches)	APPROVAL	JUNHUI XU
1:1	A4		2019.06.13	