

# TACT SWITCH

P/N:TSL06141

ILLUMINATED



## SPECIFICATIONS

Function: Momentary action  
 Contact Arrangement: SPST, Normally Open  
 Termination: THD version

### Mechanical

Actuation Force: 180±50grams  
 Life Expectancy: 100,000 Operations

### Electrical

Contact Rating: 50mA @ 12V DC  
 Dielectric Strength: 250VAC for 1minute  
 Contact Resistance: 50mΩ Max.  
 Insulation Resistance: 100MΩ Min.  
 Travel: 0.25±0.1mm

### Environmental

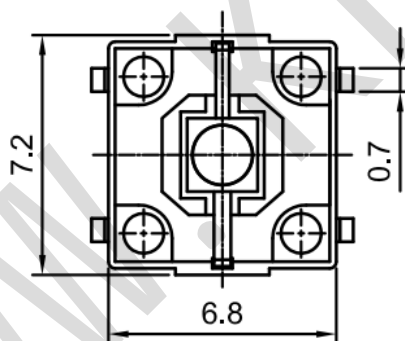
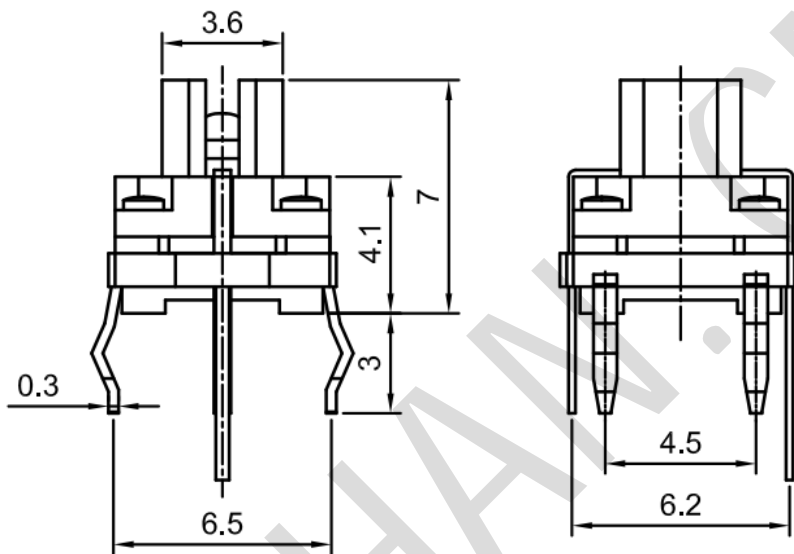
Operating Temperature: -25~+70°C  
 Relative Humidity: (40°C) ≤95%

### Materials

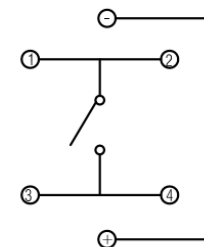
5.LED: White, Orange, Blue, Yellow, Green, Red  
 4.Stem: GP.PA66  
 3.Contact: Stainless steel with Silver cladding  
 2.Holder: Black GP.PA66  
 1.Terminal: Copper (H62Y t=0.3) with Silver Cladding

### Packaging

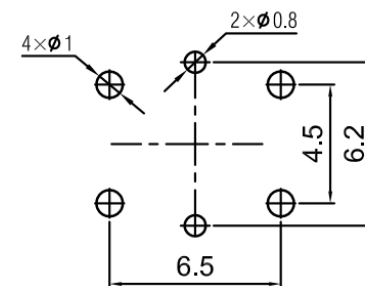
Bulk Package: Plastic bag  
 Inner Package: Carton  
 Outer Package: Carton



### CIRCUIT DIAGRAM



### P.C.B. LAYOUT



# KANGHONG ELECTRONIC

VERSION

KH14FE22E

PROJECTION



Dimensions are shown:mm(inches)

SCALE

4:1

SIZE

A4

2014.02.20

DESIGN

DRAWN

APPROVAL