

# TACT SWITCH

P/N: TSW08211

WATERPROOF



Professional Manufacturer Since 2000

## SPECIFICATIONS

Function: Momentary action  
 Contact Arrangement: SPST, Normally Open  
 Termination: THD version

### Mechanical

Actuation Force: 230±50grams  
 Life Expectancy: 100K Operations

### Electrical

Contact Rating: 50mA @ 12V DC  
 Dielectric Strength: 250V AC for 1minute  
 Contact Resistance: 50mΩ Max.  
 Insulation Resistance: 100MΩ Min.  
 Travel: 0.35±0.1mm

### Environmental

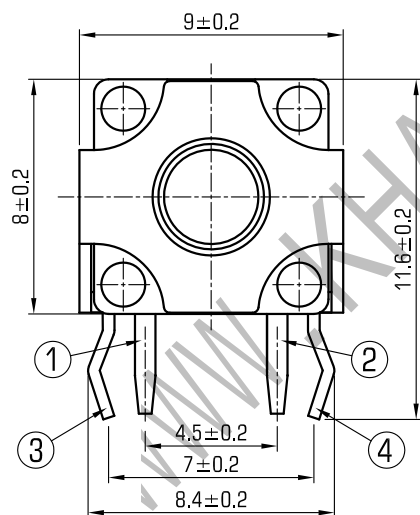
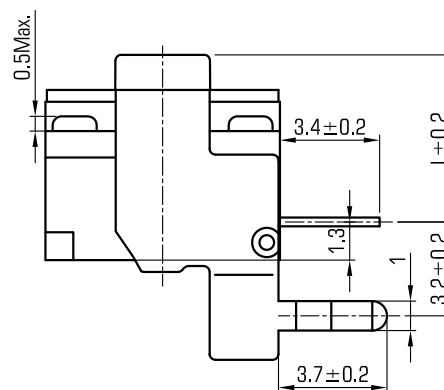
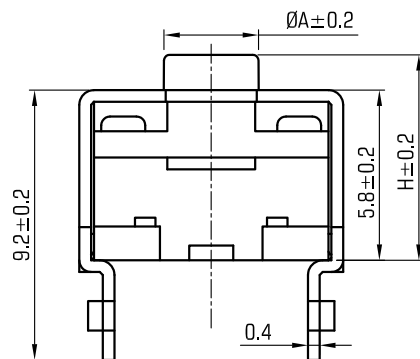
Operating Temperature: -25~+70°C  
 Relative Humidity: (40°C) ≤95%

### Materials

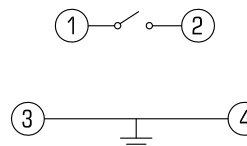
- 9. Bracket: Ferrum with Copper and Tin Cladding
- 8. Cover: Black GP.PA66
- 7. Stem: Black GP.PA66
- 6. Washer: Rubber
- 5. Waterproof membrane: PIF membrane
- 4. Inner Stem: Black GP.PA66
- 3. Contact: Copper with Silver Cladding
- 2. Holder: Black GP.PA66
- 1. Terminal: Copper with Silver Cladding

### Packaging

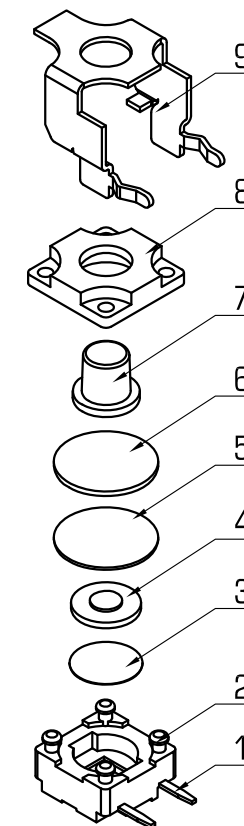
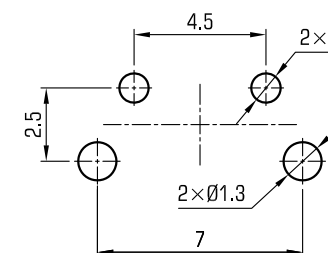
Bulk Package  
 Inner Package: Plastic bag  
 Outer Package: Carton



### CIRCUIT DIAGRAM



### P.C.B. LAYOUT



H	6.5	7	7.5	7.9	8	8.1	8.5	8.8	9	9.5	10	10.3	10.5	11
L	5	5.5	6	6.4	6.5	6.6	7	7.3	7.5	8	8.5	8.8	9	9.5
A	3.5	3.2	3.2	3	3.2	3.1	3.2	3.2	3.2	3.2	3.2	3.1	3.1	3.1
H	11.2	11.4	11.5	11.8	12	12.5	13	13.5	14	14.5	15	15.5	16	16.5
L	9.7	9.9	10	10.3	10.5	11	11.5	12	12.5	13	13.5	14	14.5	15
A	3.1	3.2	3.2	3.2	3	3.1	3.2	3.2	3.1	3.2	3	3.2	3.1	3.1



# KHAN ELECTRONIC

VERSION		PROJECTION	DESIGN	YUDA AO
KH14FE22E			DRAWN	ZHIJIE LU
SCALE	SIZE	Dimensions are shown:mm(inches)	APPROVAL	JUNHUI XU
4:1	A4		2018.05.30	