

TACT SWITCH  
P/N:KAN3-24



## SPECIFICATIONS

Funtion: LOCK  
Contact Arrangement: DPDT

### Mechanical

Life Expectancy: 10,000 Operations

### Electrical

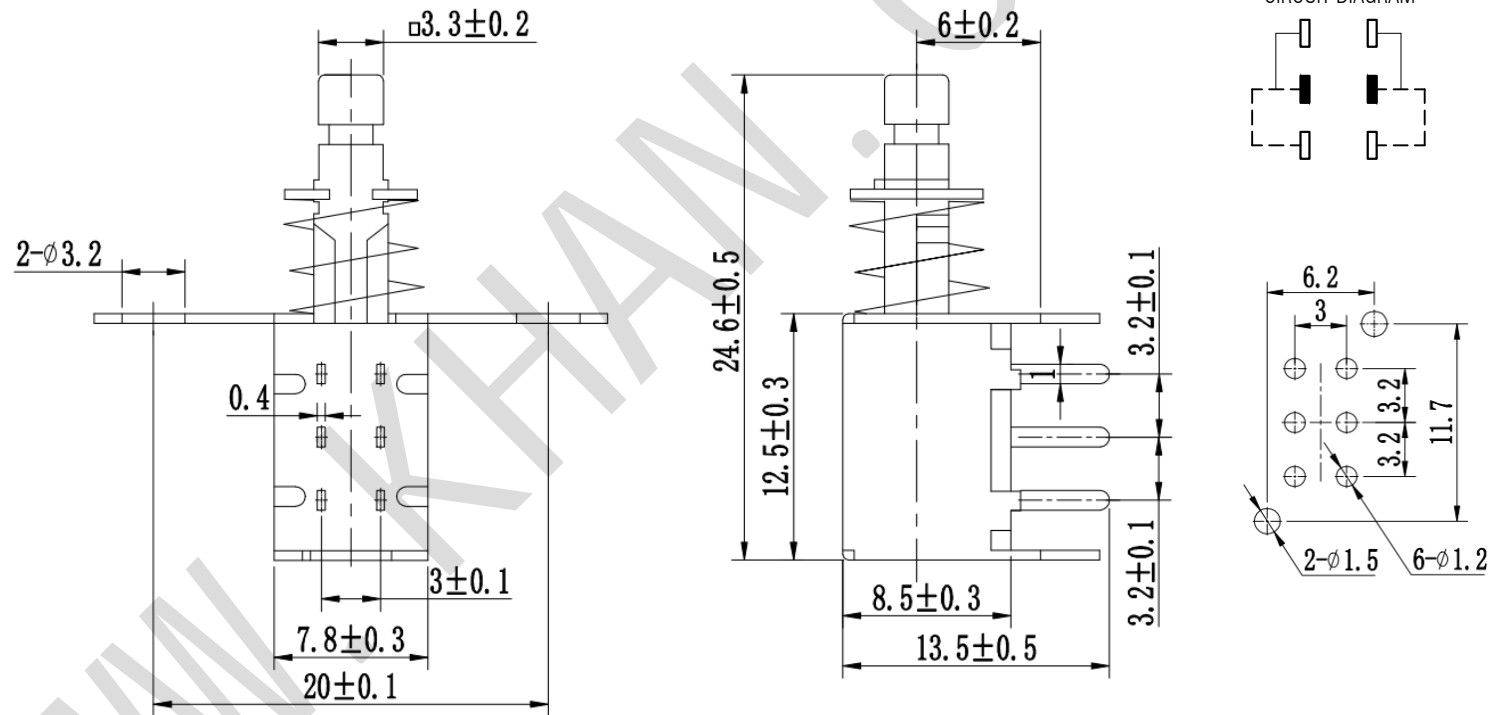
Contact Rating: 0.3A @ 30V DC  
Dielectric Strength: 500V AC for 1minute  
Contact Resistance: 50mΩ Max.  
Insulation Resistance: 500MΩ Min.

### Environmental

Operating Temperature: -25~ +70 °C  
Relative Humidity: (40 °C) ≤95%

### Packaging

Bulk Package  
Inner Package: Plastic bag  
Outter Package: Carton



**KANGHONG ELECTRONIC**

VERSION		PROJECTION	DESIGN
KH14FE22E			
SCALE	SIZE	 Dimensions are shown:mm(inches)	DRAWN
1:1	A4		2014.02.20