



TACT SWITCH

P/N.TSW12310- H

WATERPROOF

SPECIFICATIONS

Funtion: Momentary action
 Contact Arrangement: SPST, Normally Open
 Termination: SMD version

Mechanical

Actuation Force: 330±50grams
 Life Expectancy: 100K Operations

Electrical

Contact Rating: 50mA @ 12V DC
 Dielectric Strength: 250VAC for 1minute
 Contact Resistance: 50mΩ Max.
 Insulation Resistance: 100MΩ Min.
 Travel: 0.35±0.1mm

Environmental

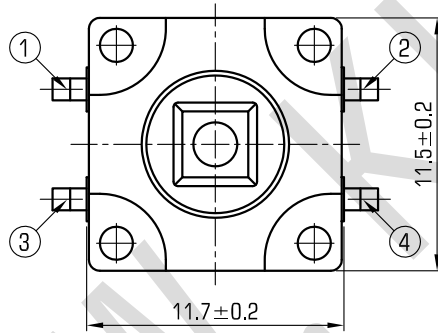
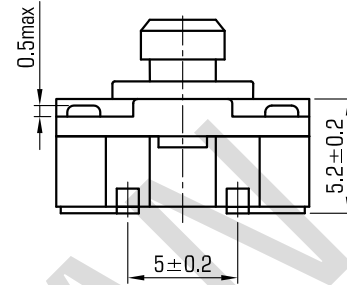
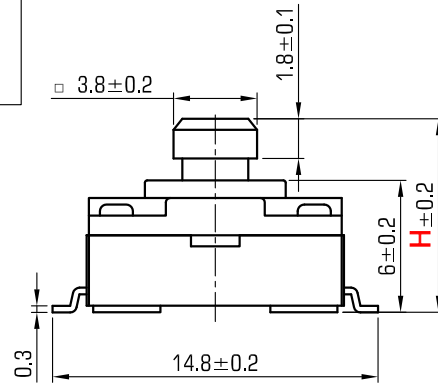
Operating Temperature: -25 ~ +70 °C
 Relative Humidity: (40 °C) ≤ 95%

Materials

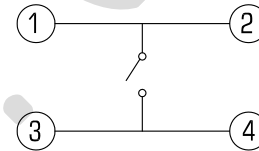
- 8. Cover: Brown GP.PPA
- 7. Stem: Brown GP.PPA
- 6. Washer: Rubber
- 5. Waterproof membrane: PIF membrane
- 4. Inner Stem: Black GP.PA66
- 3. Contact: Copper with Silver Cladding
- 2. Holder: Brown GP.PPA
- 1. Terminal: Copper with Silver Cladding

Packaging

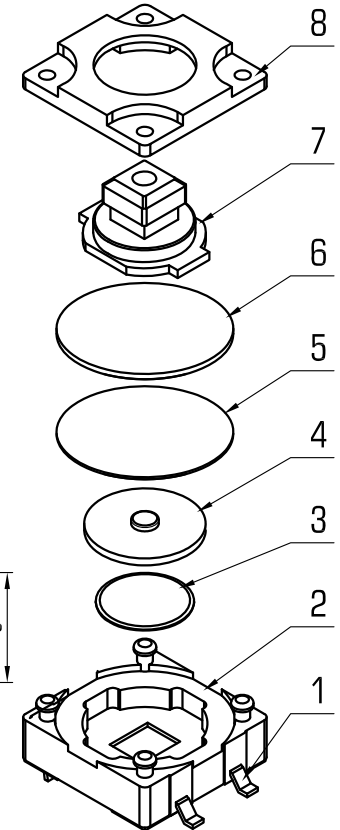
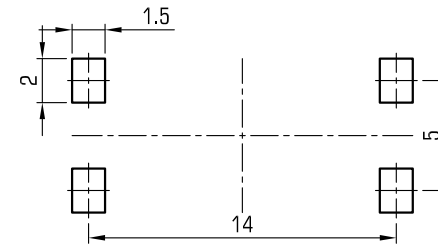
Bulk Package
 Inner Package: Plastic bag
 Outter Package: Carton



CIRCUIT DIAGRAM



P.C.B. LAYOUT



H	8.5	8.8	8.9
L	5.7	6	6.1

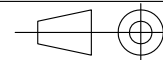


KHAN ELECTRONIC

VERSION

KH14FE22E

PROJECTION



DESIGN

DRAWN

APPROVAL

SCALE

3:1

SIZE

A4

Dimensions are shown:mm(inches)

2018.07.20