

TACT SWITCH

P/N: TSW06351

WATERPROOF

SPECIFICATIONS

Function: Momentary action
 Contact Arrangement: SPST, Normally Open
 Termination: SMD version

Mechanical

Actuation Force: Life 180/280 ± 50grams
 Expectancy: 100K Operations

Electrical

Contact Rating: 50mA @ 12V DC
 Dielectric Strength: 250V AC for 1minute
 Contact Resistance: 100mΩ Max.
 Insulation Resistance: 100MΩ Min.
 Travel: 0.3 ± 0.1mm

Environmental

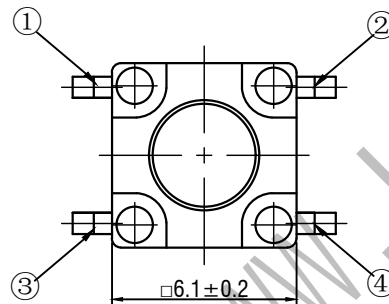
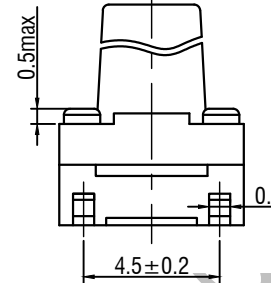
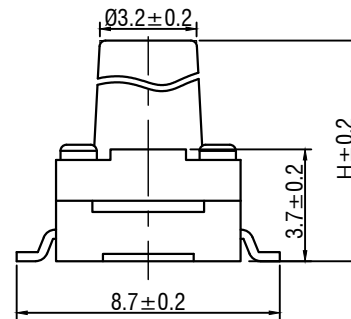
Operating Temperature: -25 ~ +70°C
 Relative Humidity: (40°C) ≤ 95%

Materials

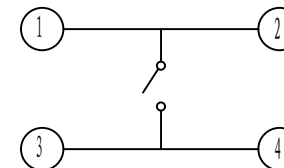
6. Cover: Black GP.PPA
 5. Stem: Black GP.PPA
 4. Washer: Rubber
 3. Contact: Stainless Steel with Silver Cladding
 2. Holder: Black GP.PPA
 1. Terminal: Copper with Silver Cladding

Packaging

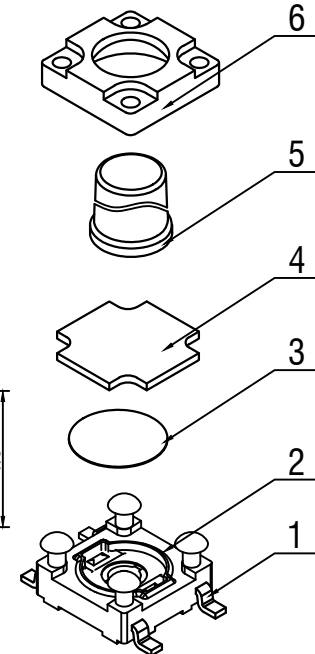
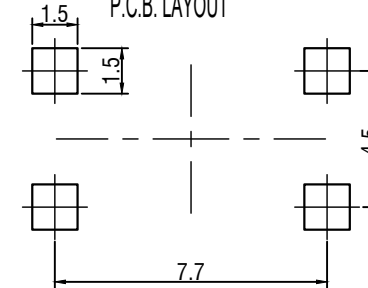
Bulk Package
 Inner Package: Plastic bag
 Outer Package: Carton



CIRCUIT DIAGRAM



P.C.B. LAYOUT



H	4.3	4.5	5	5.5	6	6.5	7	7.5	8	8.5	9
A	3.4	3.4	3.5	3.2	3.2	3.2	3.2	3.2	3.2	3.2	3.2



WENZHOU KHAN ELECTRONIC

VERSION		PROJECTION	DESIGN	Shuqing Zhu
KH14FE22E			CHECKED	Zhongju Peng
SCALE	SIZE	 Dimensions are shown:mm (inches)	APPROVED	Johan XU
4:1	A4		2019.11.01	