

TACT SWITCH

P/N: TSW12351

WATERPROOF



SPECIFICATIONS

Function: Momentary action
 Contact Arrangement: SPST, Normally Open
 Termination: SMD version

Mechanical

Actuation Force: 330±50grams
 Life Expectancy: 100K Operations

Electrical

Contact Rating: 50mA @ 12V DC
 Dielectric Strength: 250VAC for 1minute
 Contact Resistance: 100mΩ Max.
 Insulation Resistance: 100MΩ Min.
 Travel: 0.35±0.1mm

Environmental

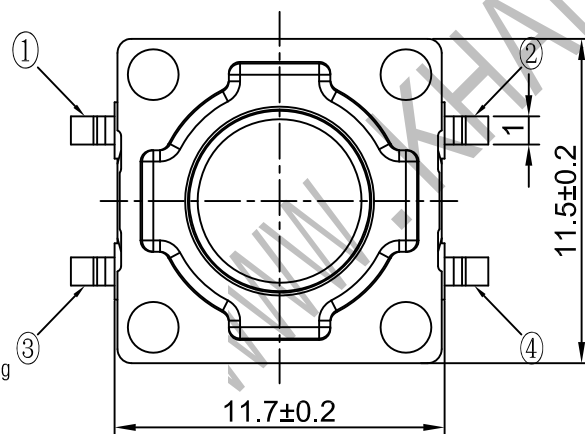
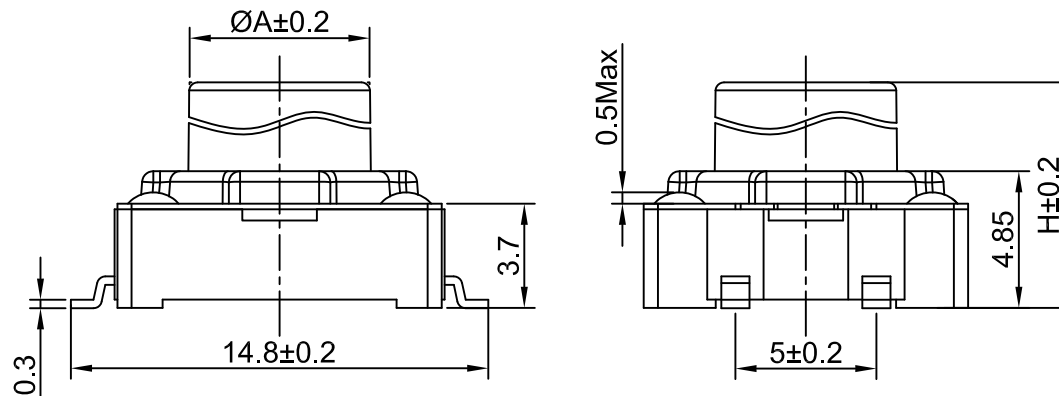
Operating Temperature: -25~+70°C
 Relative Humidity: (40°C) ≤95%

Materials

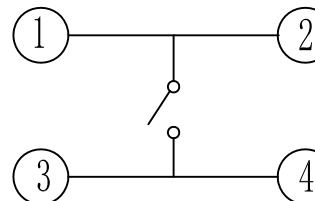
- 7. Cover: Stainless steel
- 6. Stem: Brown GP.PPA
- 5. Washer: Rubber
- 4. Inner Stem: Black GP.PA66
- 3. Contact: Stainless Steel with Silver Cladding
- 2. Holder: Brown GP.PPA
- 1. Terminal: Copper with Silver Cladding

Packaging

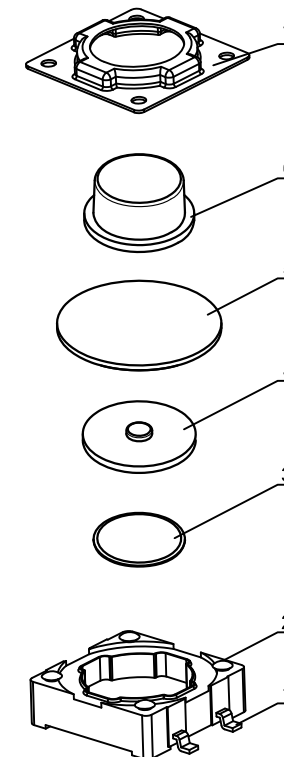
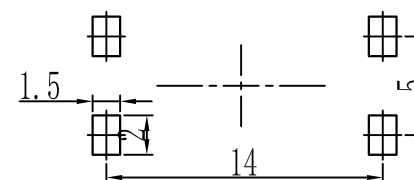
Bulk Package
 Inner Package: Plastic bag
 Outer Package: Carton



CIRCUIT DIAGRAM



P.C.B. LAYOUT



H	5.8	6	6.5	7	7.5	8	8.5	9	9.2
A	6.4	6.4	6.4	6.4	6.4	6.2	6.3	6.2	6.3
H	9.5	10	10.5	11	11.5	12	12.5	13	
A	6.3	6.3	6.2	6.2	6.3	6.2	6.2	6.2	



WENZHOU KHAN ELECTRONIC

VERSION		PROJECTION	DESIGN	SHUQING ZHU
KH14FE22E		 Dimensions are shown:mm(inches)	DRAWN	ZHONGJU PENG
SCALE	SIZE		APPROVAL	JUNHUI XU
3:1	A4	2020.06.02		