

# Push Switch

P/N:KAN2-41



## SPECIFICATIONS

Function: Lock type  
Termination: THD version

### Mechanical

Life Expectancy: 10,000 Operations

### Electrical

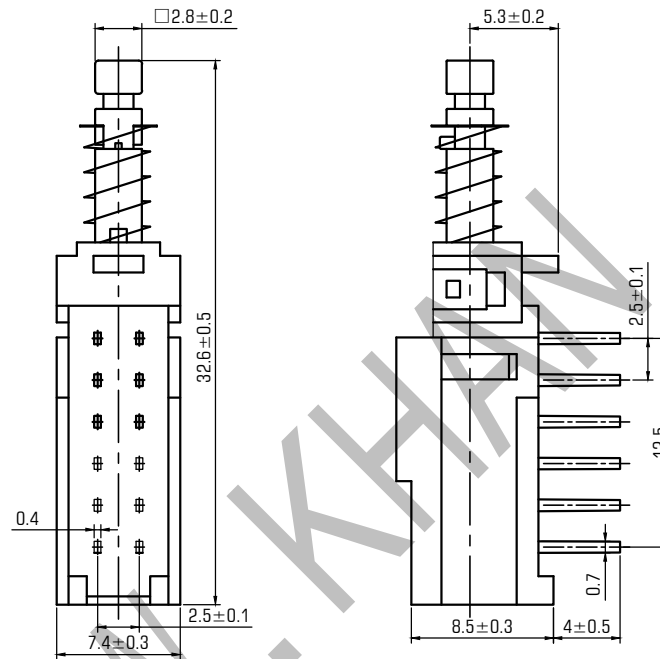
Contact Rating: 100mA @ 30V DC  
Dielectric Strength: 500V AC for 1minute  
Contact Resistance: 100mΩ Max.  
Insulation Resistance: 100MΩ Min.

### Materials

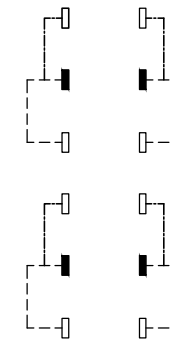
8.Snap ring: Tin  
7.Tablet: Copper  
6.Crochet hook: Stainless steel  
5.Spring: Carbon Steel  
4.Stem: White POM  
3.Contact: Copper with Silver cladding  
2.Holder: Black GP.PC  
1.Terminal: Copper with silver cladding

### Packaging

Bulk Package  
Inner Package: Plastic bag  
Outer Package: Carton



### CIRCUIT DIAGRAM



### P.C.B. LAYOUT



VERSION		PROJECTION	DESIGN	AO YU DA
KH14FE22E			DRAWN	AO YU DA
SCALE	SIZE	 Dimensions are shown:mm(inches)	APPROVAL	XU JUN HUI
1:1	A4		2017.06.28	