

TACT SWITCH

P/N:PS580-06



SPECIFICATIONS

Function: LOCK/NON-LOCK
 Contact Arrangement: DPDT
 Termination: THD version

Mechanical

Actuation Force: 100~300grams
 Life Expectancy: 10,000 Operations

Electrical

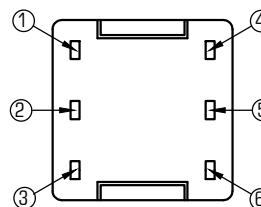
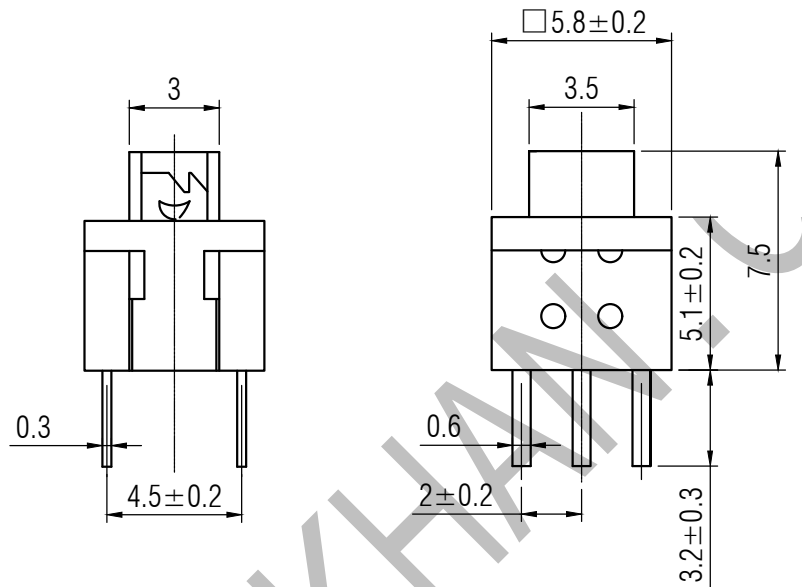
Contact Rating: 50mA @ 12V DC
 Dielectric Strength: 250V AC for 1minute
 Contact Resistance: 100mΩ Max.
 Insulation Resistance: 100MΩ Min.
 Travel: 1.5±0.3mm

Environmental

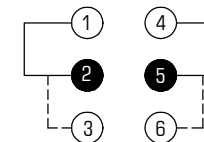
Operating Temperature: -25~+70°C
 Relative Humidity: (40°C) ≤95%

Packaging

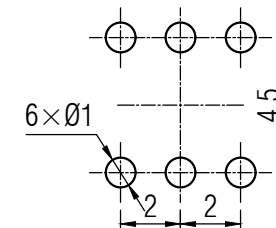
Bulk Package
 Inner Package: Plastic bag
 Outer Package: Carton



CIRCUIT DIAGRAM



P.C.B. LAYOUT



KANGHONG ELECTRONIC

VERSION		PROJECTION	DESIGN	YUDA AO
KH14FE22E			DRAWN	ZHIJIE LU
SCALE	SIZE	Dimensions are shown:mm(inches)	APPROVAL	JUNHUI XU
4:1	A4		2015.11.05	