



TACT SWITCH

P/N: TSW10111-H

WATERPROOF



SPECIFICATIONS

Function: Momentary action
 Contact Arrangement: SPST, Normally Open
 Termination: THD version

Mechanical

Actuation Force: 230/330±50grams
 Life Expectancy: 100,000 Operations

Electrical

Contact Rating: 50mA @ 12V DC
 Dielectric Strength: 250V AC for 1minute
 Contact Resistance: 50mΩ Max.
 Insulation Resistance: 100MΩ Min.
 Travel: 0.35±0.1mm

Environmental

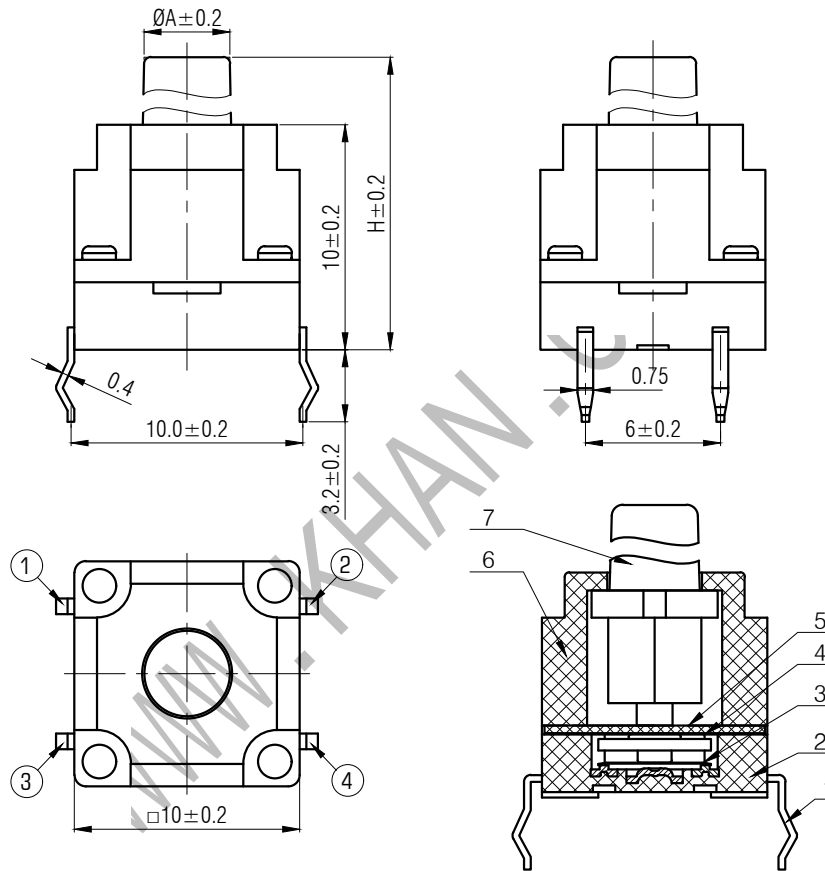
Operating Temperature: -25~+70°C
 Relative Humidity: (40°C) ≤95%

Materials

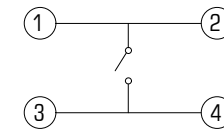
7.Stem: Black GP.PA66
 6.Cover: Black GP.PA66
 5.Washer: Rubber
 4.Waterproof membrane: PIF membrane
 3.Contact: Copper with Silver Cladding
 2.Holder: Black GP.PA66
 1.Terminal: Copper (H62Y t=0.3) with Silver Cladding

Packaging

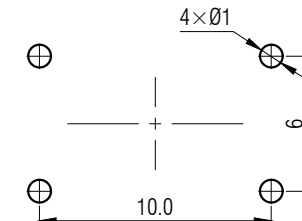
Bulk Package
 Inner Package: Plastic bag
 Outer Package: Carton



CIRCUIT DIAGRAM



P.C.B. LAYOUT



A	3.8	3.9	3.7
H	13	15	23.2



KANGHONG ELECTRONIC

VERSION

KH14FE22E

SCALE

3:1

SIZE

A4

PROJECTION



Dimensions are shown:mm(inches)

2014.02.20

DESIGN

DRAWN

APPROVAL