



# TACT SWITCH

P/N: TSW08112-II

WATERPROOF



## SPECIFICATIONS

Function: Momentary action  
 Contact Arrangement: SPST, Normally Open  
 Termination: THD version

### Mechanical

Actuation Force: 230/330±50grams  
 Life Expectancy: 100K Operations

### Electrical

Contact Rating: 50mA @ 12V DC  
 Dielectric Strength: 250V AC for 1minute  
 Contact Resistance: 50/100mΩ Max.  
 Insulation Resistance: 100MΩ Min.  
 Travel: 0.3±0.1mm

### Environmental

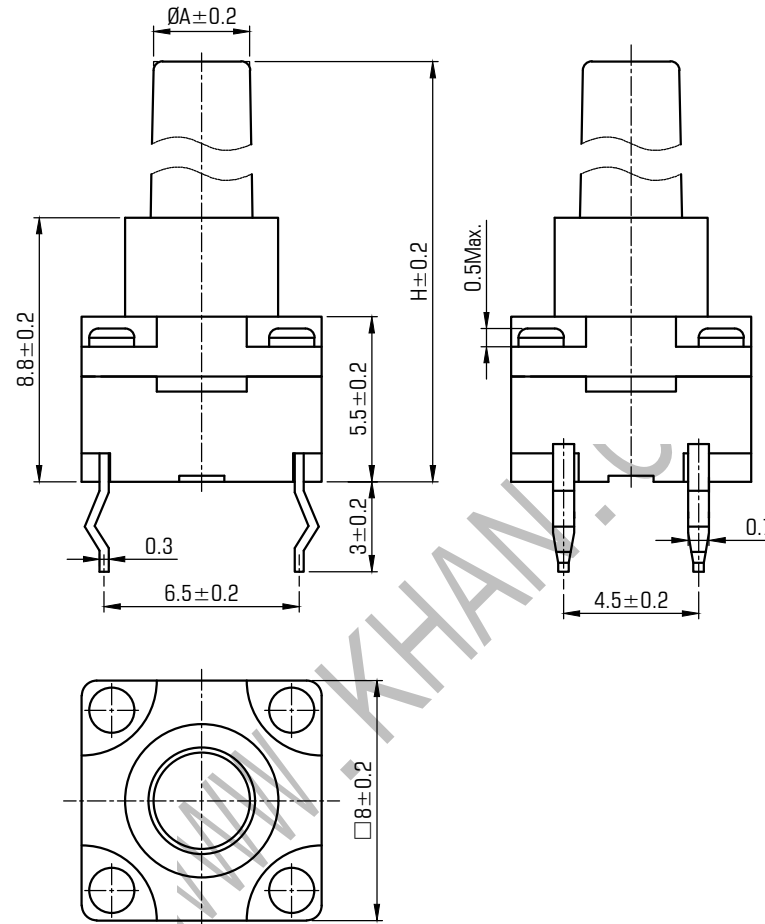
Operating Temperature: -25~+70°C  
 Relative Humidity: (40°C) ≤95%

### Materials

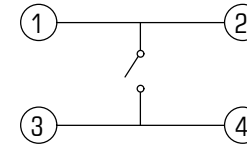
- 8.Cover: Black GP.PA66
- 7.Stem: Black GP.PA66
- 6.Washer: Rubber
- 5.Waterproof membrane: PIF membrane
- 4.Inner Stem: Black GP.PA66
- 3.Contact: Copper/SUS with Silver Cladding
- 2.Holder: Black GP.PA66
- 1.Terminal: Copper with Silver Cladding

### Packaging

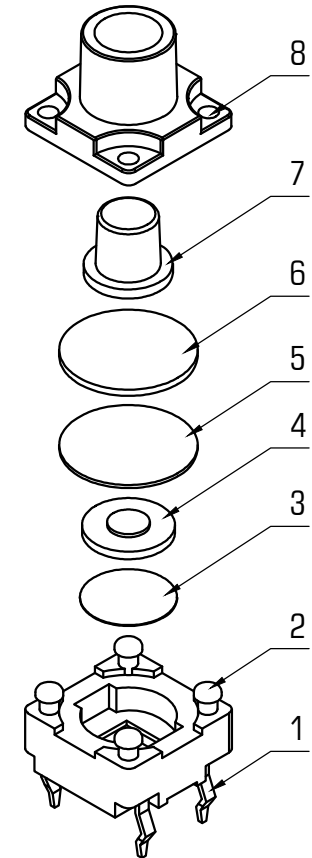
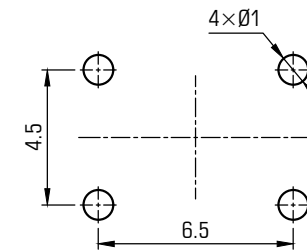
Bulk Package  
 Inner Package: Plastic bag  
 Outer Package: Carton



## CIRCUIT DIAGRAM



## P.C.B. LAYOUT



H	10	10.3	10.5	11	11.2	11.4	11.5	11.8	12	12.5	13	13.5
A	3.2	3.1	3.1	3.1	3.1	3.2	3.2	3.2	3	3.1	3.2	3.2
H	14	14.5	15	15.5	16	16.5	17	17.1	17.5	18	18.5	18.5
A	3.1	3.2	3	3.2	3.1	3.1	3.2	3.1	3.2	3.2	3.2	2
H	19	19.5	20	20.5	21							
A	3	3.2	3	3.1	3							



# KANGHONG ELECTRONIC

VERSION		PROJECTION	DESIGN	YUDA AO
KH14FE22E			DRAWN	ZHIJIE LU
SCALE	SIZE	Dimensions are shown:mm(inches)	APPROVAL	JUNHUI XU
4:1	A4		2016.03.08	