



# TACT SWITCH

P/N: TSW06231

WATERPROOF



Professional Manufacturer Since 2000

## SPECIFICATIONS

Function: Momentary action  
 Contact Arrangement: SPST, Normally Open  
 Termination: THD version

### Mechanical

Actuation Force: 230±50grams  
 Life Expectancy: 100K Operations

### Electrical

Contact Rating: 50mA @ 12V DC  
 Dielectric Strength: 250V AC for 1minute  
 Contact Resistance: 100mΩ Max.  
 Insulation Resistance: 100MΩ Min.  
 Travel: 0.3±0.1mm

### Environmental

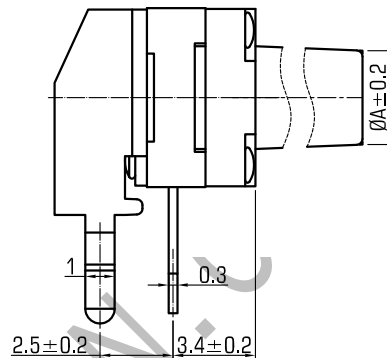
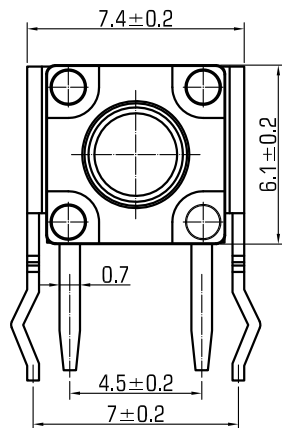
Operating Temperature: -25~+70°C  
 Relative Humidity: (40°C) ≤95%

### Materials

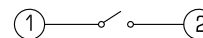
- 8.Cover: Black GP.PA66
- 7.Stem: Black GP.PA66
- 6.Washer: Rubber
- 5.Waterproof membrane: PIF membrane
- 4.Contact: Stainless Steel with Silver Cladding
- 3.Holder: Black GP.PA66
- 2.Terminal: Copper (H62Y) with Silver Cladding
- 1.Bracket: Ferrum with Copper and Tin Cladding

### Packaging

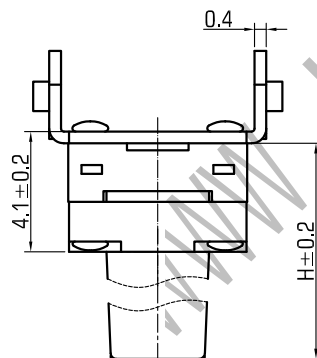
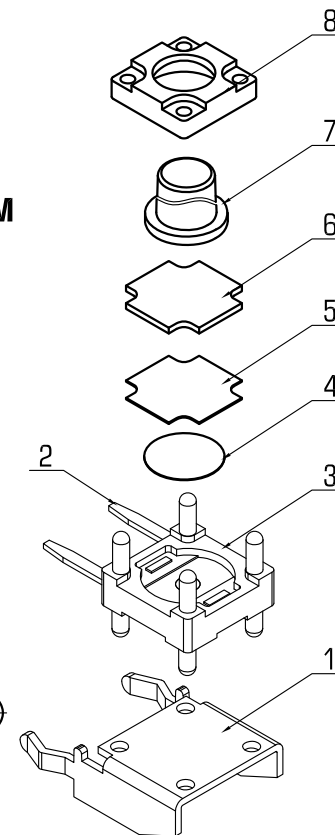
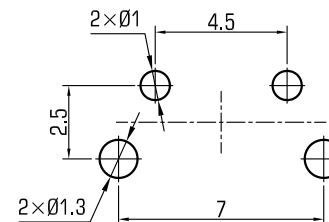
Bulk Package  
 Inner Package: Plastic bag  
 Outer Package: Carton



### CIRCUIT DIAGRAM



### P.C.B. LAYOUT



H	4.3	4.5	4.8	5	5.5	6	6.4	6.5	6.6	7	7.3	7.5	8	8.5
A	3.4	3.4	3.4	3.4	3.2	3.2	3	3.2	3.1	3.2	3.2	3.2	3.2	3.2
H	8.8	9	9.5	9.7	9.9	10	10.3	10.5	11	11.5	12	12.5	13	13.5
A	3.1	3.1	3.2	3.1	3.2	3.2	3.2	3.2	3.1	3.2	3.2	3.1	3.2	3
H	14	14.5	15	15.5	15.6	16	16.5	17	17	17.5	18	18.5	19	
A	3.2	3.1	3.1	3.2	3.1	3.2	3.2	3.2	2	3	3.2	3	3.1	



# WENZHOU KHAN ELECTRONIC

VERSION		PROJECTION	DESIGN	SHUQING ZHU
KH14FE22E			DRAWN	ZHONGJU PENG
SCALE	SIZE	Dimensions are shown:mm(inches)	APPROVAL	JUNHUI XU
1:1	A4		2019.06.14	