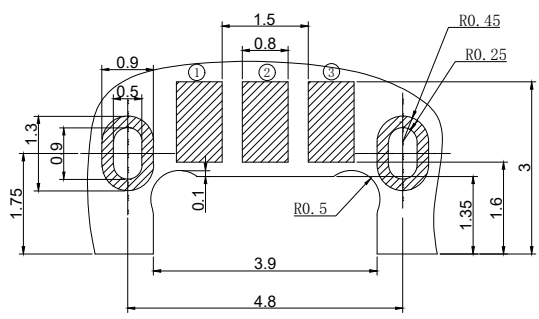
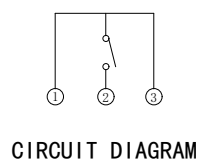
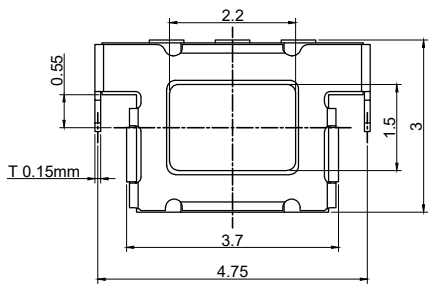
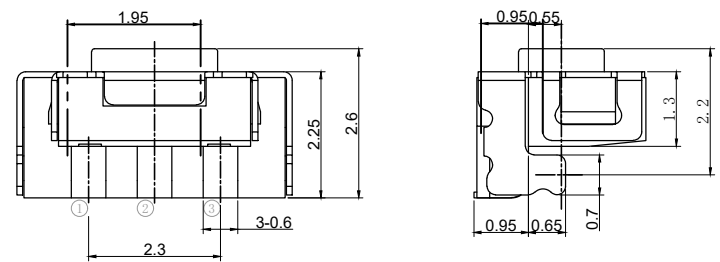
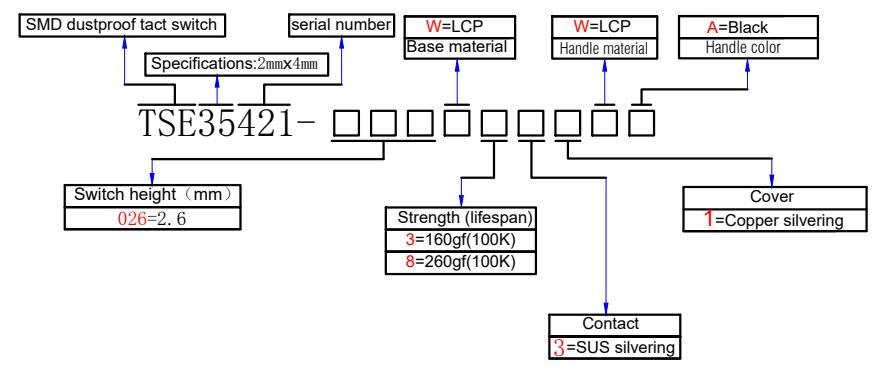




Switch drawings Number Description



Note: Unmarked tolerances for linear dimensions shall be in accordance with GB/T1804 level m.



| SPECIFICATIONS | |
|------------------------|---------------------|
| Funtion: | Momentary action |
| Contact Arrangement: | SPST, Normally Open |
| Termination: | THD version |
| Environmental | |
| Operating Temperature: | -25~+70℃ |
| Relative Humidity: | (40℃) ≤95% |
| Electrical | |
| Contact Rating: | 50mA 12V DC |
| Dielectric Strength: | 250VAC /1min |
| Contact Resistance: | 100m Ω Max. |
| Insulation Resistance: | 100M Ω Min. |
| Travel: | 0.2±0.1mm |
| Sealing: | IP6X |
| Mechanical | |
| Actuation Force: | Optional |
| Life Expectancy: | 60K |

| Materials | |
|------------------------|-------------------------------------|
| 6.Cover: | Phosphor copper plated with silver |
| 5.Stem: | Black LCP |
| 4.Waterproof membrane: | Polyimide |
| 3.Spring: | Stainless steel covered with silver |
| 2.Holder: | Black LCP |
| 1.Terminal: | Phosphor copper plated with silver |

